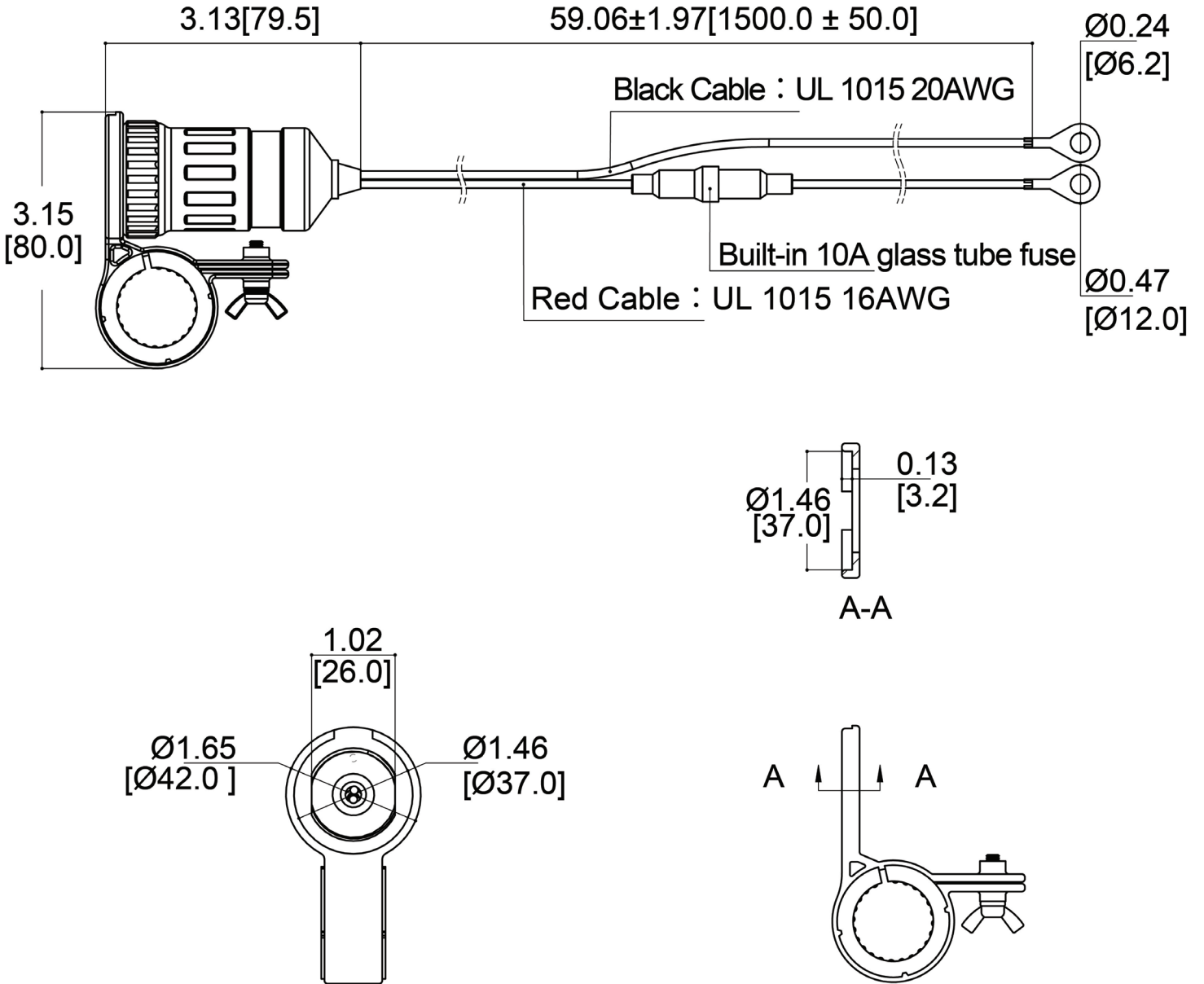


Mechanical Dimensions: Inches [mm]

Tolerances ± 0.012 [0.3] Unless Otherwise Specified



Features

[Redacted text area]

[Redacted text area]

Rev **Date of issue** **Revision Notes**

Designed **Approved**

A	07-19-2024	Initial Drawing	RC	OF
---	------------	-----------------	----	----