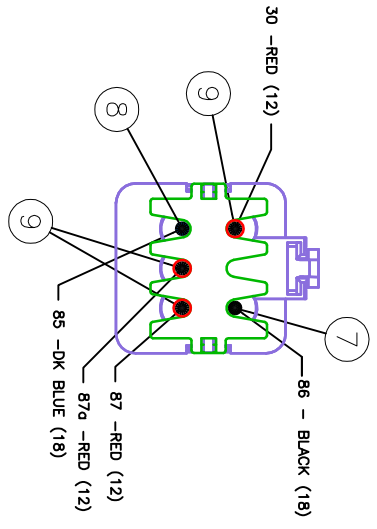
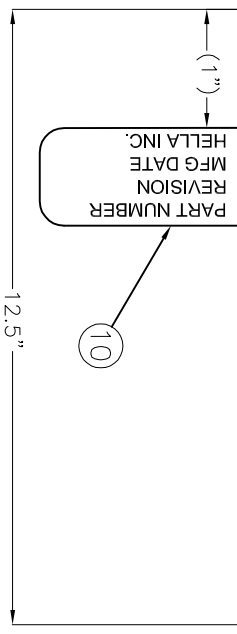
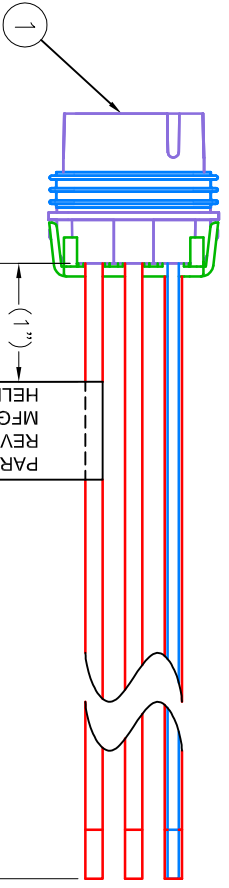
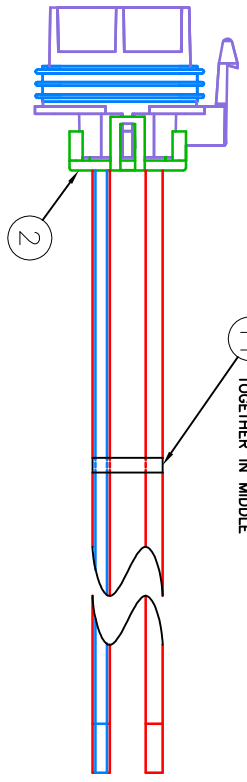
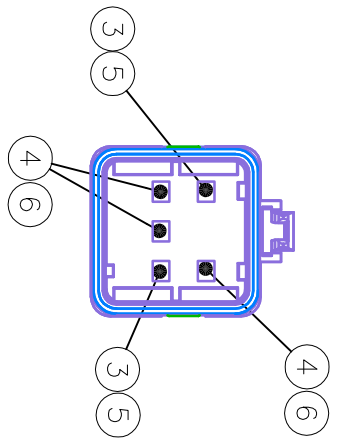
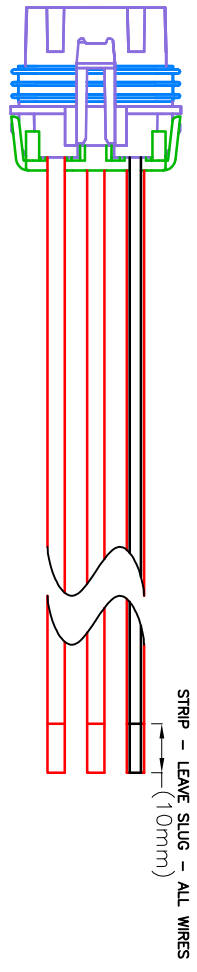


NOTES: UNLESS OTHERWISE SPECIFIED
 WIRE LENGTH TOLERANCES:
 0 UP TO 4 +0.25"
 OVER 4 UP TO 12 +0.50"
 OVER 12 UP TO 40 +0.75"
 OVER 40 +1.25"

FLAG
 1. MINIMUM ITEMS REQUIRED
 A. PART NUMBER
 B. REVISION
 C. MANUFACTURING DATE
 D. HELLA, INC.



11	1	TT18RA50-5000	CABLE TIE - NATURAL
10	1	FLAG - WEATHER RESISTANT VINYL	
9	*	12AWG MULTI-STRAND GXL WIRE-RED	
8	*	18AWG MULTI-STRAND GXL WIRE-DARK BLUE	
7	*	18AWG MULTI-STRAND GXL WIRE-BLACK	
6	3	DELPHI 15324974	CABLE SEAL - ORANGE
5	2	DELPHI 12129930	CABLE SEAL - BLUE
4	3	DELPHI 12110845	MP 280 SOCKET TERMINAL - 12 AWG - TIN
3	2	DELPHI 12110847	MP 280 SOCKET TERMINAL - 16-18 AWG - TIN
2	1	DELPHI 12110540	SECONDARY LOCK TPA - DARK GREEN
1	1	DELPHI 12110539	5 WAY MP 280 CONNECTOR (280 RELAY) - BLACK

UNITS:	PROJECTION	HELLA P/N:	H84708001
SCALE:	METHOD:		
TOLERANCES:			
(UNLESS OTHERWISE SPECIFIED)			
X.X	N/A		
X.XX	N/A		
X.XXX	N/A		

HELLA
 PEACHTREE CITY, GA 30269
 201 KELLY DRIVE
 HELLA, INC.
 WWW.HELLAUSA.COM
 OFFICE: 770.631.7550
 FAX: 770.631.7550

DESCRIPTION:	RELAY CONN 280 WTHR 12" LEADS
DRAWN:	SOE ENGINEER - JOSE APONTE AUG 05-2013
CHECKED:	SOE ENGINEER - JOSE APONTE AUG 05-2013
APPROVED:	PRODUCT MGR - C. FEAR AUG 05-2013

PRINTED REV: B
 SHEET: 1 OF 1

REV:	DESCRIPTION:	BY:	ECN:	DATE:
B	CHANGED ITEM 11 VINYL TAPE TO A ZIP TIE	JJA	N/A	AUG 05 - 2013
A	NEW BORDER	JJA	N/A	JUN 06 - 2013

RELEASED