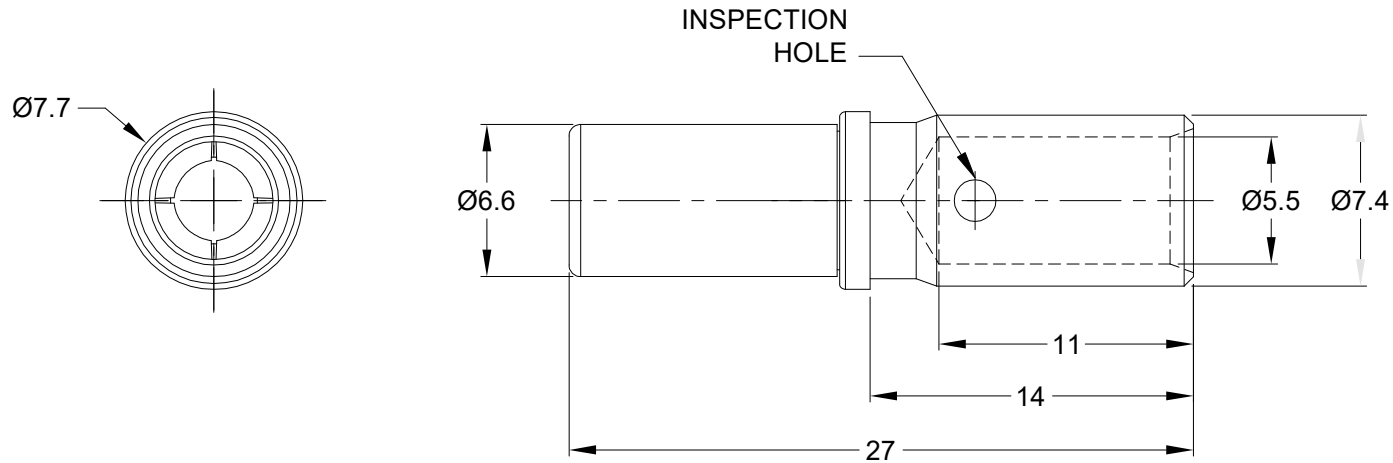
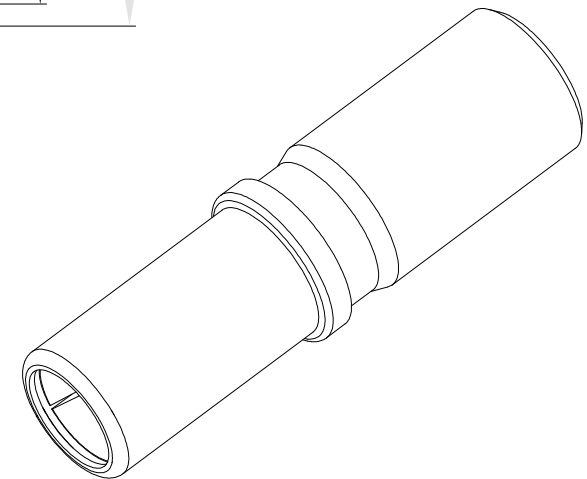


REVISIONS					
REV	ECO	DESCRIPTION	DATE	BY	APPR
A1	-	RELEASE NEW DRAWING	02MAR21	IAN	TOMMY



NOTES: UNLESS OTHERWISE SPECIFIED

1. MATERIAL: COPPER ALLOY,NICKEL PLATED
2. CONTACT SIZE: 8#
3. SPECIFICATIONS:
 - 3.1 CURRENT RATING: 60 AMP
 - 3.2 CONTACT MILLIVOLT DROP: 60 MILLIVOLT DROP @ 60 AMP TEST CURRENT.
 - 3.3 ROHS COMPLIANT
4. RECOMMENDED WIRE RANGE: 6AWG(16.0-13.0mm²)
5. AVAILABLE PNEUMATIC CRIMP TOOL: WA23
6. ALL DIMENSIONS ARE FOR REFERENCE USE ONLY



AT62-203-08141-16		DESCRIPTION		ITEM
QUANTITY	PART NUMBER	MATERIALS LIST		
UNLESS OTHERWISE SPECIFIED 1) All dimensions are in metric(mm). 2) Tolerances are as follows: 1 PL DEC ±0.30 Fractions ±1/64 2 PL DEC ±0.15 Angles ±1° 3 PL DEC ±0.08 3) Note reference =		SIGNATURES DRAWN: IAN 02MAR21 CHECKED: ORION 03MAR21 ENGINEER: APPROVAL: TOMMY 04MAR21 CUSTOMER:		 Sine Systems - www.amphenol-sine.com 44724 Morley Drive Clinton Township, MI 48036
MATERIAL SPECIFICATIONS: PROCESS SPECIFICATIONS: NEXT ASSY:		THIS DRAWING IS SUPPLIED FOR INFORMATION ONLY. DESIGN FEATURES, SPECIFICATIONS AND PERFORMANCE DATA SHOWN HEREON ARE THE PROPERTY OF THE AMPHENOL CORPORATION. NO RIGHTS OF REPRODUCTION ARE IMPLIED. ALL DIMENSIONS ARE SUBJECT TO NORMAL MANUFACTURING VARIATIONS.		
		SIZE: B TYPE: C- SCALE: NONE	DWG NO: AT62-203-08141-16 REVISION: A1	CONTACT, SOCKET, SIZE 8, 16MM ² WIRE RANGE, NICKEL PLATED
		SHEET 1 OF 1		

TITLE: CONTACT SOCKET, SIZE 8, 16MM² WIRE RANGE, NICKEL PLATED
 DWG NO: AT62-203-08141-16
 REV: A1
 SH: 1
 OF: 1