

# POLLAK

SWITCHING PRODUCTS DIVISION  
300 DAN ROAD, CANTON MA, 02021

DRAWING NUMBER

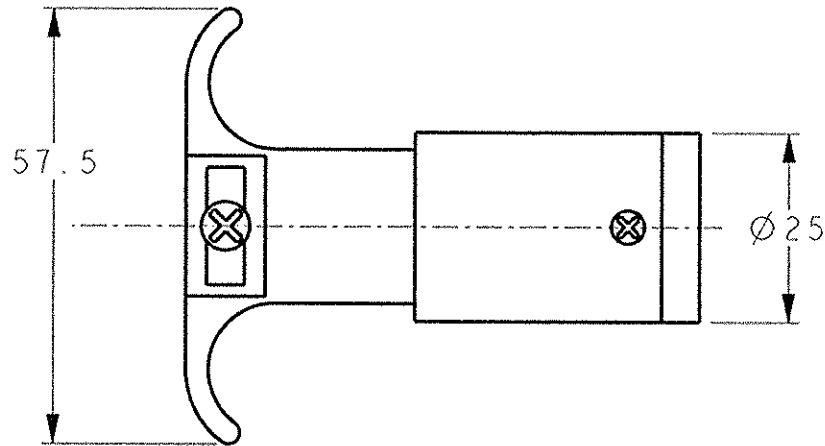
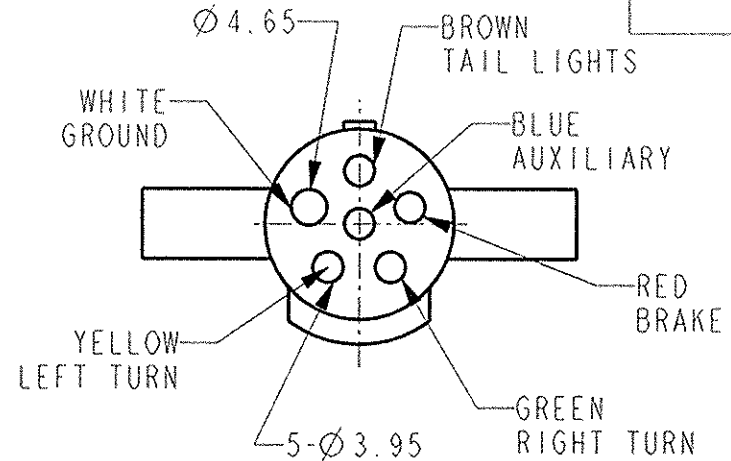
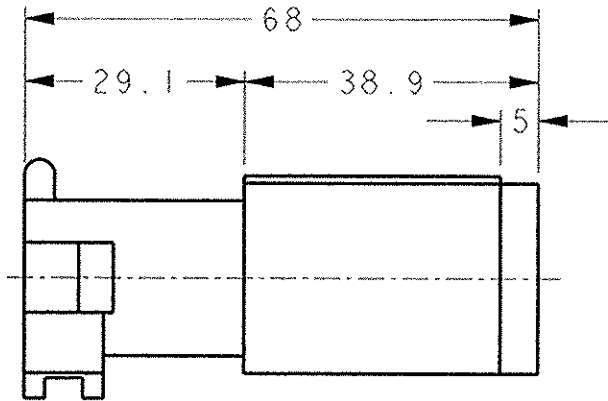
11-604E

REV

A

ECN	REVISIONS - AUTHORIZED - CHANGED - DATE			
K0796   A	RELEASE TO PRODUCTION	TT	TT	7/30/10

WHERE USED

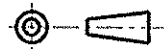


NOTES:

- ITEMS PACKAGED IN INDIVIDUAL PLASTIC BAGS, TWENTY (20) PER INTERIOR CARTON.

NOTE: PARTS AND COMPONENTS MUST COMPLY WITH POLLAK SOA POLICY

THIS DOCUMENT CONTAINS PROPRIETARY INFORMATION AND SUCH INFORMATION MAY NOT BE DISCLOSED TO OTHERS FOR ANY PURPOSE OR USED FOR MANUFACTURING PURPOSES WITHOUT WRITTEN PERMISSION FROM POLLAK.



3rd ANGLE PROJECTION

UNSPECIFIED TOLERANCES

X.X : ±  
X.XX : ±  
X.XXX : ±  
ANGLE : ±

MATERIAL

ZINC DIE CAST

FINISH

DESIGNED BY

TT

DRAWN BY

TT

CHECKED BY

APPROVED BY

*MOC 10/7/10*

FILE NAME

11-604E\_6-WAY-PLUG

SCALE

NONE

DATE

30-July-10

DRAWING TITLE

**6-WAY DIECAST  
CONNECTOR PLUG**

DRAWING NUMBER

**11-604E**