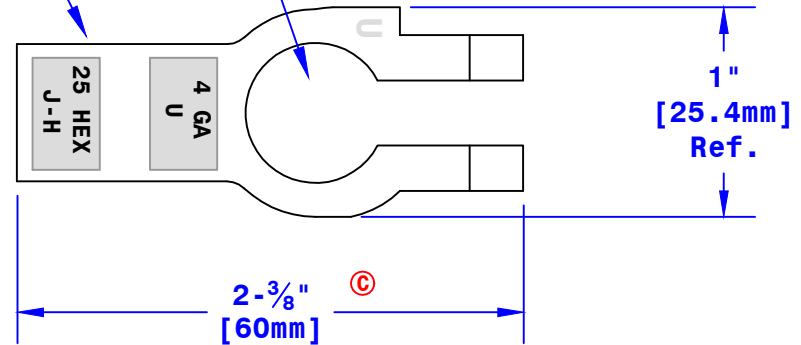
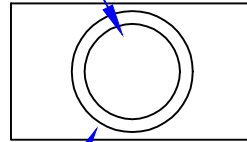


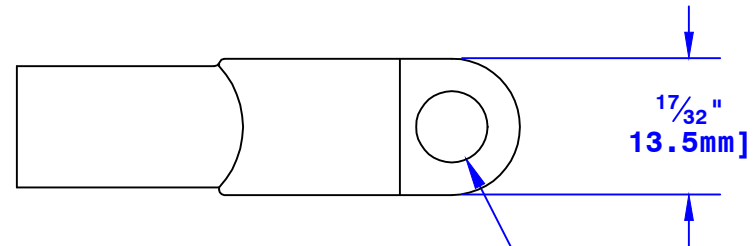
Universal Post Hole  
Crimp Information



I.D. Sized For 4 Ga. [19mm<sup>2</sup>] Stranded Cable  
7/8" [22.2mm] Min Depth



7/16" O.D. [11.1mm]  
(May Vary Due To Shrinkage)



Bolt Hole Sized For 5/16" [M8] Bolt

Property of <b>QUICKCABLE</b> 3700 Quick Drive Franksville, WI 53126 U.S.A. www.quickcable.com	TITLE
	Straight Clamp 4 Ga. [19mm <sup>2</sup> ], Univ.
	PART #
	3004U

Confidential and Proprietary Information

<b>D</b>	04-09-18	3790	MTP	Added Universal Symbol
<b>C</b>	02-12-09	1759	JMH	Update print; remove one notch; shorten tangs
<b>B</b>	10-20-08	1815	Bill S	Change Bright Zinc To Bright Tin
<b>A</b>	8-26-05	1034	Josh	Change Bright Tin To Zinc
Rev	Date	ECN#	By	Description

Drawn By	Date	Checked By	Scale
<b>Paul</b>	<b>08-22-03</b>	<b>Mike E</b>	<b>None</b>
Tolerances, unless otherwise noted			
<b>Dimensions are reference only</b>			

Material & Treatment	Drawing #	REV
High Conductivity Copper Alloy Tin Plated <b>(B)</b>	<b>3004U-INFO</b>	<b>D</b>
	Sheet <b>1</b> of <b>1</b>	