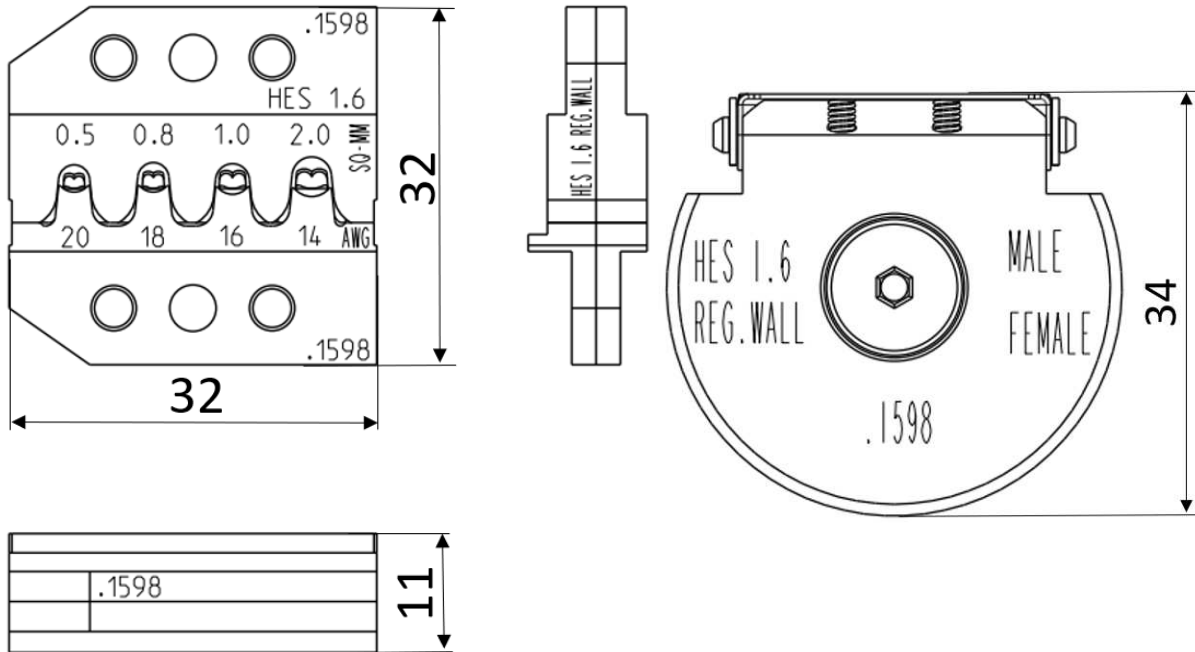


RENNSTEIG TOOLS, INC.

PRODUCT NAME

Rennsteig Crimping Die Set & Locator for HES 1.6 (Regular Wall) terminals



Measurements in Millimeter.

SPECIFICATION

P/N	Description	Application	Terminal P/N	Capacity	Applicable for
624 1598 3 0 RT	Die Set	HES 1.6 (Regular Wall)	13690835, 13690838, 13663718, 13690835, 13690836, 13663716, 13663719, 13690839, 13690837, 13690840	AWG 20 / 18 / 18UL / 14 0.5 / 0.8 / 1.0 / 2.0 mm ²	Rennsteig Crimp System Tools
624 1598 0 01 RT	Locator	HES 1.6 (Regular Wall)	13690835, 13690838, 13663718, 13690835, 13690836, 13663716, 13663719, 13690839, 13690837, 13690840	AWG 20 / 18 / 18UL / 14 0.5 / 0.8 / 1.0 / 2.0 mm ²	Rennsteig Crimp System Tools

CRIMP SPECIFICATION

Core Crimp

Terminal	Wire Size	Crimp height CCH (mm)	Crimp width CCW (mm)	Pull out force (N) DIN EN 60352-2
13690835	AWG 20 / 0.5 mm ²	1.15 ± 0.05	2.00 ± 0.1	60 (nominal)
13690838	AWG 20 / 0.5 mm ²	1.15 ± 0.05	2.00 ± 0.1	60 (nominal)
13663718	AWG 20 / 0.5 mm ²	1.15 ± 0.05	2.00 ± 0.1	60 (nominal)
13690835	AWG 18 / 0.8 mm ²	1.30 ± 0.05	2.00 ± 0.1	90 (nominal)
13690838	AWG 18 / 0.8 mm ²	1.30 ± 0.05	2.00 ± 0.1	90 (nominal)
13663718	AWG 18 / 0.8 mm ²	1.30 ± 0.05	2.00 ± 0.1	90 (nominal)
13690836	AWG 18UL / 1.0 mm ²	1.40 ± 0.05	2.40 ± 0.1	108 (nominal)
13663716	AWG 18UL / 1.0 mm ²	1.40 ± 0.05	2.40 ± 0.1	108 (nominal)
13663719	AWG 18UL / 1.0 mm ²	1.40 ± 0.05	2.40 ± 0.1	108 (nominal)
13690839	AWG 18UL / 1.0 mm ²	1.40 ± 0.05	2.40 ± 0.1	108 (nominal)
13690837	AWG 14 / 2.0 mm ²	1.65 ± 0.05	2.90 ± 0.1	200 (nominal)
13690840	AWG 14 / 2.0 mm ²	1.65 ± 0.05	2.90 ± 0.1	200 (nominal)

Insulation Crimp

Terminal	Wire Size	Insulation height ICH (mm)	Insulation width ICW (mm)
13690835	AWG 20 / 0.5 mm ²	2.45 ± 0.1	2.80 ± 0.1
13690838	AWG 20 / 0.5 mm ²	2.45 ± 0.1	2.80 ± 0.1
13663718	AWG 20 / 0.5 mm ²	2.45 ± 0.1	2.80 ± 0.1
13690835	AWG 18 / 0.8 mm ²	2.70 ± 0.1	2.80 ± 0.1
13690838	AWG 18 / 0.8 mm ²	2.70 ± 0.1	2.80 ± 0.1
13663718	AWG 18 / 0.8 mm ²	2.70 ± 0.1	2.80 ± 0.1
13690836	AWG 18UL / 1.0 mm ²	2.80 ± 0.1	3.00 ± 0.1
13663716	AWG 18UL / 1.0 mm ²	2.80 ± 0.1	3.00 ± 0.1
13663719	AWG 18UL / 1.0 mm ²	2.80 ± 0.1	3.00 ± 0.1
13690839	AWG 18UL / 1.0 mm ²	2.80 ± 0.1	3.00 ± 0.1
13690837	AWG 14 / 2.0 mm ²	3.55 ± 0.1	3.60 ± 0.1
13690840	AWG 14 / 2.0 mm ²	3.55 ± 0.1	3.60 ± 0.1

