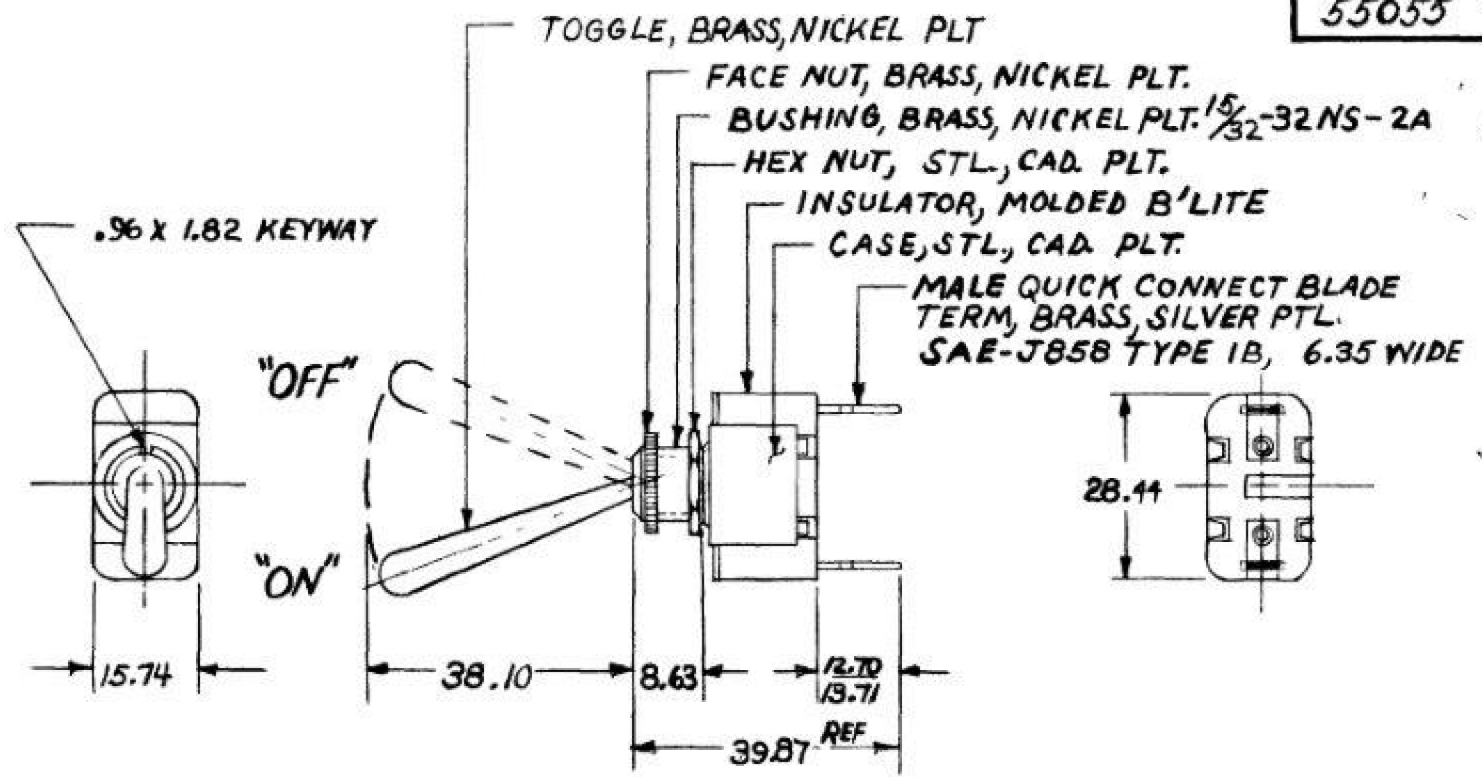


MM IN.
 18.63 .34
 13.20 .52
 38.10 1.50
 39.87 1.57
 28.41 1.12
 15.74 .62

55055



NOTE
 (F) SILVER CONTACT SURFACES

25 AMP., 12 VOLTS D.C.
 EXTRA HEAVY DUTY

METRIC

DO NOT SCALE

LET	WAS	DATE	BY	LET	WAS	DATE	BY	MATERIAL	DRAWN	CHECKED	APPRV'D	SCALE	DATE DRAWN
									NB	3-4-80		1:1	5-15-67
								FINISH					DATE BLUEPRINT
								TOLERANCES					
				F	ADD NOTE/25932	1/15/93	T,N	DECIMAL ±	S.P. - S.T. TOGGLE SW.				55055
				E	REDRAWN	1-8-80	K6	METRIC ±					

CH 188(4 78)