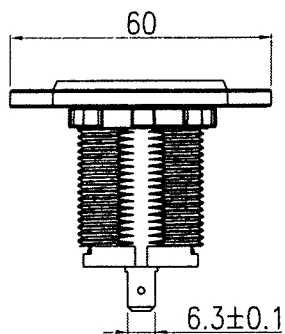
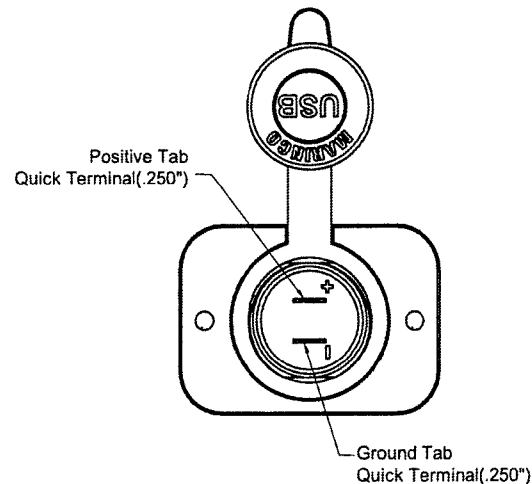
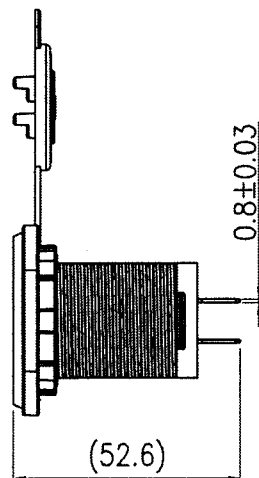
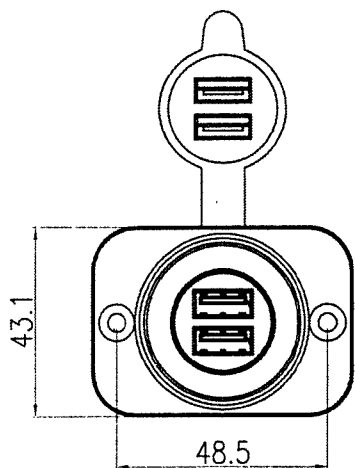
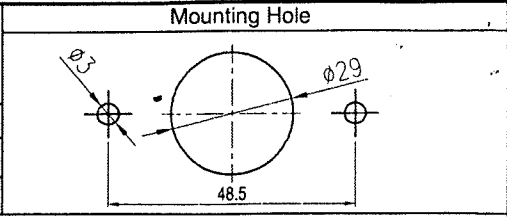




Screw in Bulk  
Φ4XL14

|                       |   |
|-----------------------|---|
| Rating                | Input:12V/24 DC<br>Output:USB Socket - 5V 2.1A max. |
| Insulation Resistance | DC 500V 100MΩ Min.                                  |
| Dielectric Strength   | AC 1500V 1 minute                                   |
| Operating Temperature | 0℃-60℃  |



1.Tolerances ±0.3 Unless Otherwise Specified

|       |         |             |              |          |            |               |       |    |      |   |
|-------|---------|-------------|--------------|----------|------------|---------------|-------|----|------|---|
| Drawn | Checked | Approved    | SCI BOM No.  | 1251420  | Model Name | Single Socket |       |    |      |   |
| 劉嘉麗   | 張偉      | Simon       | Customer No. |          | Model No.  | A13-194BPS    | (LED) |    |      |   |
| Date  | Name    | Description | No.          | 06/04/15 | 6/9-15     | 6/9-15        | Unit  | mm | Rev. | 0 |