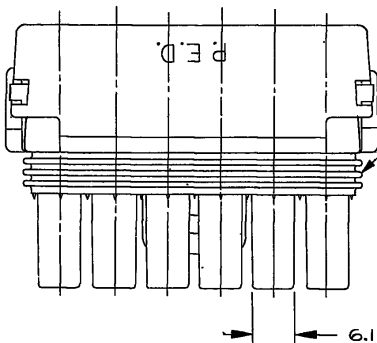


DO NOT SCALE

THIS DRAWING AND DESIGN HEREON CONSTITUTE A PROPRIETARY DESIGN OF PACKARD ELECTRIC DIVISION AND IS NOT TO BE DUPLICATED OR REPRODUCED WITHOUT AUTHORITY OF PACKARD ELECTRIC DIVISION

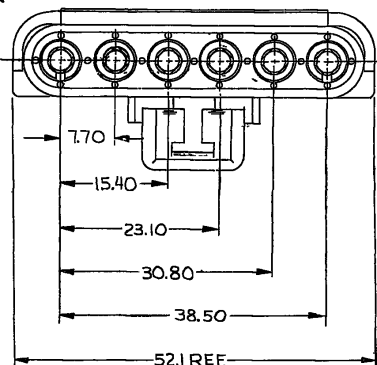
PACKARD ELECTRIC DIVISION
GENERAL MOTORS CORPORATION
WARREN, OHIO



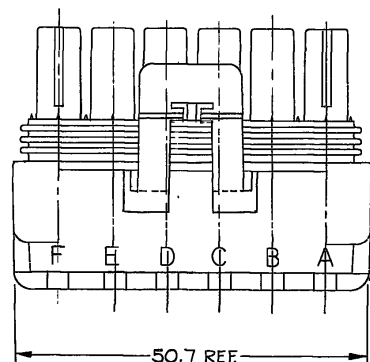
SEALING RIBS MUST BE FREE OF DEFECTS

6.15 DIA. - 6 PLCS.

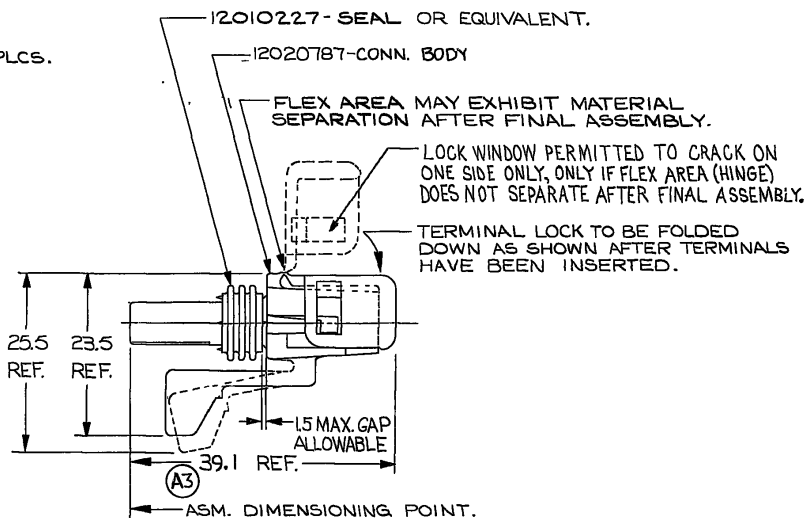
INDEX CODE - 1000001 -
(ALSO SEE HANDBOOK)



52.1 REF.



50.7 REF.



12010227 - SEAL OR EQUIVALENT.

12020787 - CONN. BODY

FLEX AREA MAY EXHIBIT MATERIAL SEPARATION AFTER FINAL ASSEMBLY.

LOCK WINDOW PERMITTED TO CRACK ON ONE SIDE ONLY, ONLY IF FLEX AREA (HINGE) DOES NOT SEPARATE AFTER FINAL ASSEMBLY.

TERMINAL LOCK TO BE FOLDED DOWN AS SHOWN AFTER TERMINALS HAVE BEEN INSERTED.

25.5 REF.

23.5 REF.

1.5 MAX. GAP ALLOWABLE

39.1 REF.

ASM. DIMENSIONING POINT.

- NOTES**
1. USE FEMALE TERMINAL 12089188 OR EQUIVALENT FOR 'IN LINE' APPLICATIONS.
 2. USE CABLE SEAL 12015323 OR EQUIVALENT.
 3. MATING CONNECTOR 12020786 OR EQUIVALENT.
 4. WHEN PARTS ARE SHIPPED, THEY MUST BE PACKED IN PLASTIC BAGS OR SHIPPING CONTAINERS MUST BE LINED WITH PLASTIC LINERS. BAGS OR LINERS MUST BE SEALED TO AVOID ENTRY OF FOREIGN MATTER.
 5. SEALING CODE 3.
 6. WHEN DESIGNING A PART TO MATE TO THIS WEATHER-PACK CONNECTOR, REQUEST THE LATEST COPY OF DRAWING NUMBER 12020084 FROM PACKARD ELECTRIC DIVISION.

DATE	SYM	REVISION RECORD	AUTH	DR.	CK.
290C81	A	RELEASED	81005	SR	JM
06N081	-	REVISED	78729	SR	JM
19N081	-	12020787 CONN. REVISED	78952	DL	JM
16MR82	-	12020787 CONN. REVISED	80056	JET	JM
30JN82	-	12020787 CONN. REVISED	81587	JEF	JM
19JL83	-	1.5 MAX. WAS 1.0 MAX.	85923	FW	JM
28SE87	-	ADDED NOTE #5	115728	TBD	JM
21OC87	-	REVISED TERMINAL NOTE	116529	BR	JM
12MY88	A1	ADDED ASSEMBLY NOTE	119914	AP	BR
02OC90	A2	ADDED INDEX CODE & NOTE #6			
		REVISED NOTE #1 & NAME	137293	EH	EH
22JL91	A3	39.1 REF DIM. WAS 38.5 REF.	143256	HH	HH

PART NO.
12020926

METRIC

DIMENSIONS ARE IN MILLIMETRES UNLESS OTHERWISE SPECIFIED

P. N. C. CODE		C06D1615	
CODE NO.	6900	TOLERANCE UNLESS OTHERWISE SPECIFIED	ANGULAR ± 2°
QC - C - 510		DECIMAL: TWO PLACE ± 0.15	ONE PLACE ± 0.5
DWG. DATE	290C81	SCALE	NONE
DR	Scott [Signature]	DATE	290C81
EST. NO.		APPROV. [Signature]	DATE 04N081
REFERENCE NO.	12015799	APPR. [Signature]	DATE 05N081
MATERIAL SPEC.	SEE DWG.		
NAME	ASM CONN 6F W/P TWR		
THIRD ANGLE PROJECTION	PART NO.	1202 0926	SIZE
			C