

2

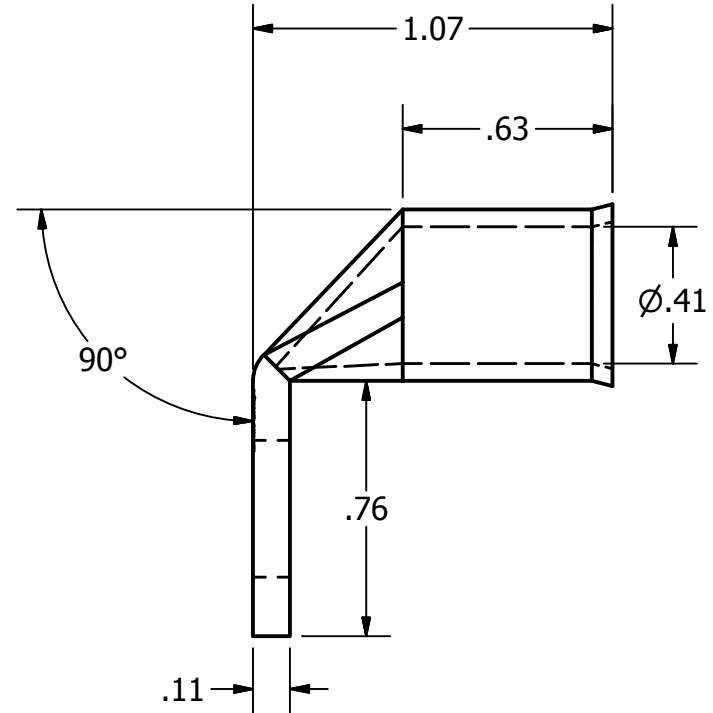
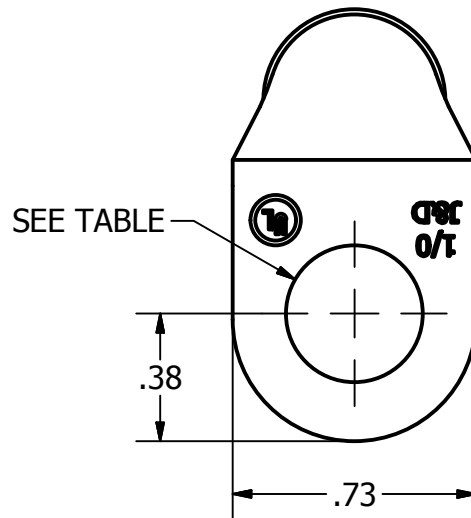


1

TABLE

ASK P/N	SH	FINISH
101490	.28	BARE COPPER
1014TP90	.28	TIN PLATED
1051690	.34	BARE COPPER
1051690TP	.34	TIN PLATED
103890	.41	BARE COPPER
1038TP90	.41	TIN PLATED
101290	.52	BARE COPPER
1012TP90	.52	TIN PLATED

B



B

A

Proprietary & Confidential	ALL DIMENSIONS ARE FOR REFERENCE ONLY		DRAWING FOR CUSTOMER / QUOTE	
This document is the property of Ask Power and contains information which shall not be use to reproduce or transfer to other document or disclose to others without our written agreement.	DRAWN BY: M. REYES	DATE: 3-12-24		
	CHECKED BY: P. BALTIERREZ	DATE: 3-12-24		
	APPROVED BY:	DATE:	PART NO. 10 SERIES 90 DEG	
	MATERIAL: COPPER ASTM B-75		SIZE A	DWG NO 10 SERIES 90 DEG (CUS)
FINISH: BARE COPPER / TIN PLATED ASTM B545 Class C		SCALE	SHEET 1 OF 1	

A

2



1