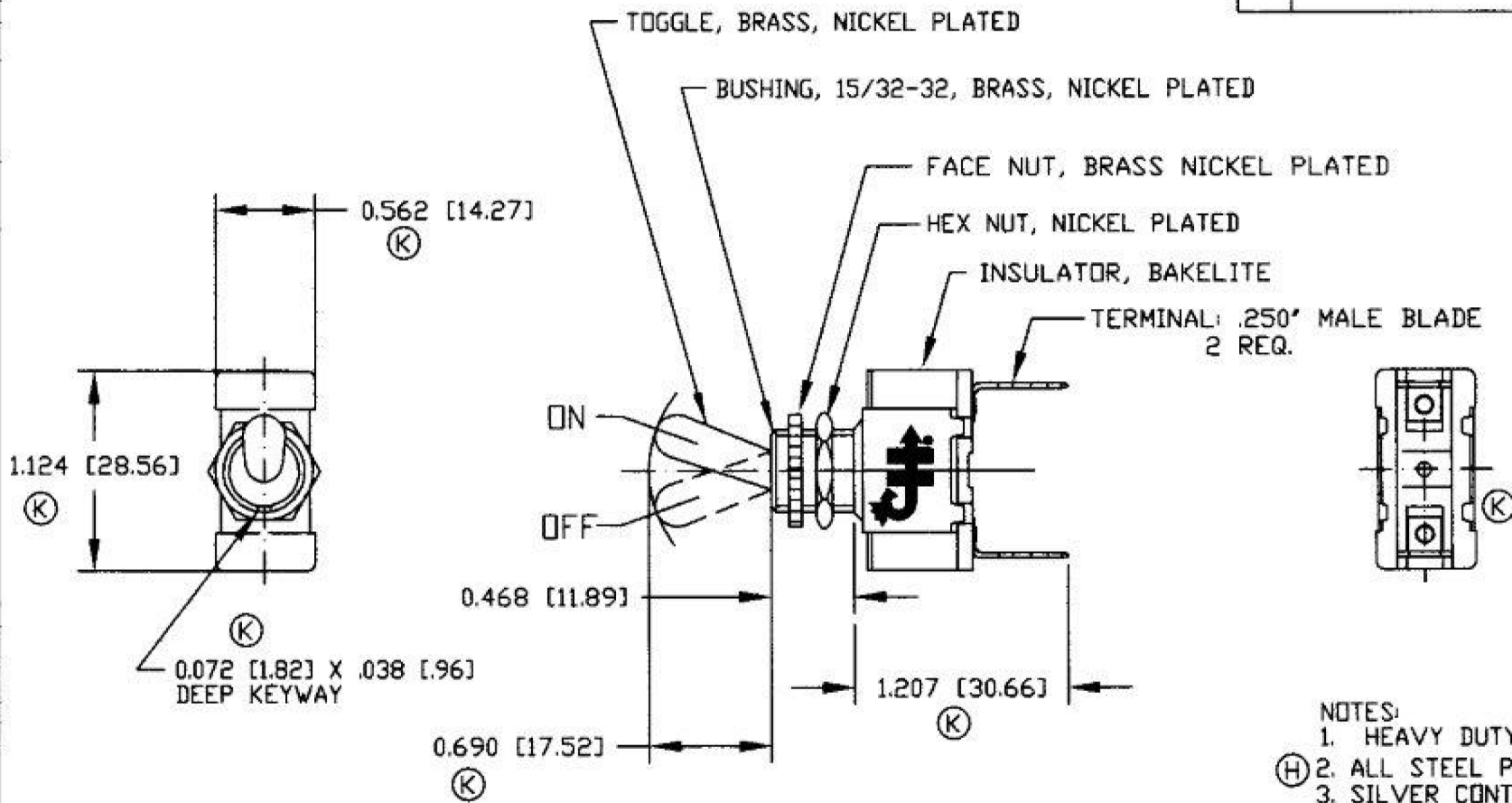


Revision Control Record

Rev.	Description of Change	ECN No.	Date
K	PUT ON CAD	05124	01/20/05



- NOTES:
1. HEAVY DUTY CONTACTS
 2. ALL STEEL PARTS ZINC PLATED
 3. SILVER CONTACT SURFACES
 4. 25 A @ 12V / 15 A @ 24V

Tolerances: Unless otherwise specifically noted, the following are default tolerances:
 * 2-place Decimal Dimensions $\pm .02$ "
 * 3-place Decimal Dimensions $\pm .005$ "
 * Angular Dimensions ± 1.0 Deg.
 * Metric: Refer to equivalent English Dimension Tolerance
 >>> NOTE: All tolerances are Non-Cumulative. <<<

Dimensional Units: All dimensions are expressed in inches except those shown in brackets (xxx) are expressed in millimeters

"REF." or an Asterisk (*) = Non-Toleranced Reference Dimension, shown for clarification purposes only.

PROPRIETARY INFORMATION: This Engineering Drawing, and the information contained herein, is proprietary to Cole Hersee Company and may not be disclosed, re-produced, or in any other way transferred or communicated to any other party without the express written consent of an authorized representative of Cole Hersee Company.

DESIGN CONTROL: It is the responsibility of the individual using / referencing this drawing to ensure that the noted design revision level agrees with the revision level of the Controlled Document (Master Drawing). This is a NON-CONTROLLED DOCUMENT unless otherwise specifically noted.

DO NOT SCALE - Dimensional variation may occur during printing / reproduction.

Special Characteristics:

- Critical Characteristics, relating to Safety and/or Regulatory Compliance
- Significant Characteristics relating to Process Control (SPC)
- Key Characteristics relating to Form - Fit - Function as defined by Cole Hersee Company and/or the Customer

(Note that the identification of any Characteristics as being "Special" does not alter the requirement that ALL specified dimensions & tolerances must be met.)

Cole Hersee Co.
 20 Old Colony Ave., South Boston, MA, 02127
 Phn: 617-268-2100 Web: www.colehersee.com

Description: SWITCH, TOGGLE . SPST ON-OFF

Drawing / Part No.: 55014

Current Rev.: K