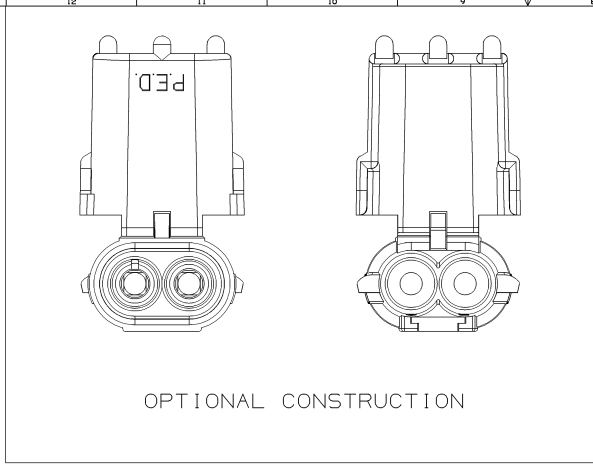
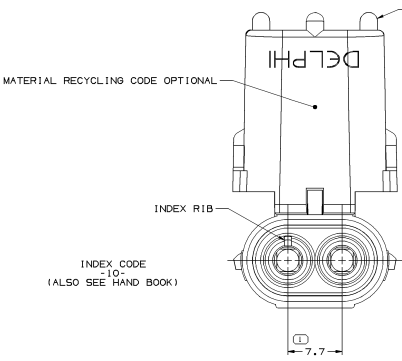
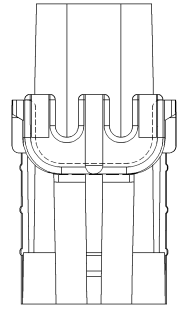
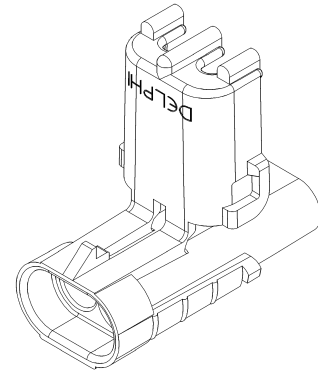


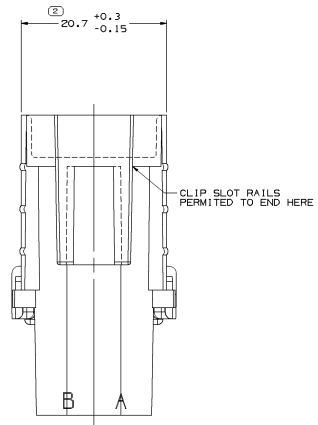
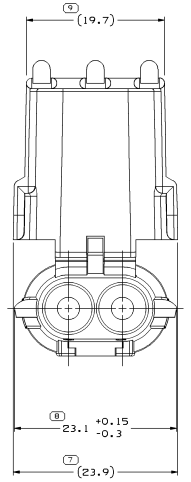
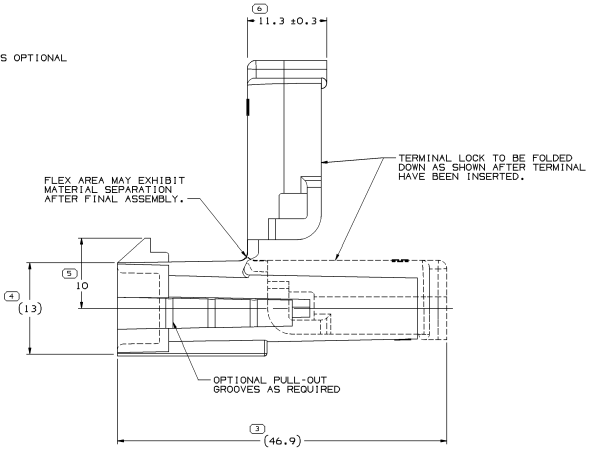
SYMBOL DEFINITION		MISSING SYMBOLS		DWG STATUS		REVISION HISTORY		AUTH	DR	APPD	JD
A DIMENSION WITHOUT AN INSPECTION REPORT SYMBOL DOES NOT REQUIRE INSPECTION. IT MAY BE CONTROLLED ON THE INDIVIDUAL COMPONENT DRAWING.	TOTAL NO OF INSPECTIONS REQUIRED	NO MISSING SYMBOL NUMBER	DATE	REV	DESCRIPTION	DATE	DESCRIPTION				
	9	9	18JAN01	R 01	-	-	ALL PARTS - REDRAWN TO PD	295957	EOV	EVJ	JA
			10MY02	R 02	-	-	ALL PARTS - REVISED DRAFT ON FRONT LOCK AREA	225251	EOV	EVJ	RM
			11DEC02	R 03	-	-	ALL PARTS - 20.7 +/-0.3/-0.15 WAS 20.7 +/-0.2/-0.15	234561	EOV	EVJ	RC
			21AUG03	R 04	-	-	ALL PARTS - REVISED CAVITY TO MATCH ESD & REVISED DRAFT ON FRONT LOCK AREA	244745	EOV	EVJ	AM
			01JUL04	R 05	-	-	ALL PARTS - REMOVED TWO OPTIONAL CONSTRUCTION VIEWS; ADDED DIM TO TOOL	254451	JS	JS	TM
			12APR06	R 06	-	-	ALL PARTS - UPDATED POW ATTRIBUTES	276333	JS	JS	TM
			27DEC06	R 07	-	-	12146103 - OBSOLETE	208195	MCH	FRD	901
			26JAN07	R 08	-	-	ALL ACTIVE PARTS - REMOVED NOTE 5	450344	MCH	JVM	WTM
			08MAY08	R 09	-	-	ALL PARTS - UPDATED POW ATTRIBUTES & 12146103 - REINSTATED OBSOLETE PART & OBSOLETE	464221	MAM	TLR	RLS
			18FEB10	R 10	-	-	ALL ACTIVE PARTS - 23.1 +/-0.15/-0.3 WAS 23.1 +/-0.15/-0.25	410063	LMT	LMT	LMT
			23DEC11	R 11	-	-	ALL PARTS - ADDED OPTIONAL CONSTRUCTION	418552	JRV	FOO	JRV



OPTIONAL CONSTRUCTION



INDEX CODE 10 (ALSO SEE HAND BOOK)



- NOTES
- UNLESS OTHERWISE SPECIFIED AND/OR INDICATED:
 - DIMENSIONS ARE TO FACE OF VIEW SHOWN AND AUTOMATICALLY ROUNDED BY COMPUTER FOR INSPECTION (SEE MATH MODEL FOR PRECISE DIMENSIONS). FOR ALL OTHER DIMENSIONS NOT SHOWN BUT REQUIRED FOR TOOL BUILD, SEE MATH MODEL FOR PRECISE TOOL PATH DATA.
 - MATERIAL RECYCLING CODE PER ISO 11469, (2,3)X10,(1) CHARACTERS AS SHOWN TO BE LOCATED ON ANY EXTERIOR SURFACE.
 - THIS PRODUCT IS NOT CATEGORIZED AS AN APPEARANCE ITEM, MINOR IMPERFECTIONS INCLUDING, BUT NOT LIMITED TO, FLOW MARKS, COLOR BLEMISHES, GATE VESTIGES, AND SOFT FLASH THAT DO NOT AFFECT THE FIT, FORM, OR FUNCTION OF THE PART ARE PERMISSIBLE PER NAP 4.10-18.
 - (2,3)X10,(1) DELPHI CORPORATE BRAND TO BE LOCATED ON ANY EXTERIOR SURFACE, PREFERABLY VISIBLE AT FINAL ASSEMBLY. OPTIONAL CONSTRUCTION FOR EXISTING TOOLING MAY BE "PED".
 - FOR APPLICATION DATA SEE THE INDIVIDUAL APPLICATION DRAWINGS.
 - CAUTION: DO NOT ATTEMPT TO COPY THIS DRAWING WHEN DESIGNING A MATING PART TO A WEATHER PACK CONNECTOR. PLEASE REQUEST THE LATEST COPY OF DRAWING NUMBER 12020084 FROM THE PACKARD ELECTRIC DIVISION.

PART NO	REV	N/P	STATUS	MATERIAL SPECIFICATION AND COLOR	APPLICATION	VOL	CM ²
12176672	A10	-	-	POLYAMIDE COMPOUND GRAY	IN-LINE	5	6.21
12146103	A10	-	-	POLYAMIDE COMPOUND NATURAL	IN-LINE	5	6.21
12010973	F13	-	-	POLYAMIDE COMPOUND BLACK	IN-LINE	5	6.21

DELPHI
 DELPHI PACKARD ELECTRICAL/ELECTRONIC ARCHITECTURE
 WARREN, OH
 DATE: 18JAN01
 DR: E. VAZQUEZ
 APPR: E. VAZQUEZ
 CHECK: J. ALVAREZ
 DESIGNED BY: E. VAZQUEZ
 SUBSTANCES OF CONCERN AND RESTRICTED CONTENT PER DELPHI 12049501
 SEE CHART
 DRAWING TITLE: TAXI CONN M W/P SHD SLD
 DRAWING NUMBER: 12146288
 SHEET 11 OF 11

PROCESS SENSITIVE DIMENSION

MIN	MAX	MIN	MAX	MIN	MAX	MIN	MAX	MIN	MAX
0.075	0.150	0.150	0.300	0.300	0.450	0.450	0.600	0.600	0.750
0.750	1.500	1.500	3.000	3.000	4.500	4.500	6.000	6.000	7.500
7.500	15.000	15.000	30.000	30.000	45.000	45.000	60.000	60.000	75.000