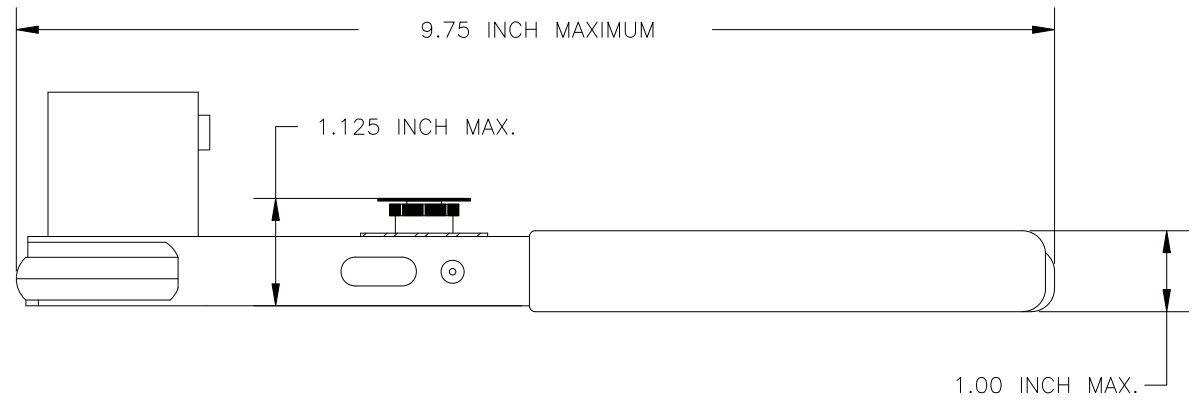
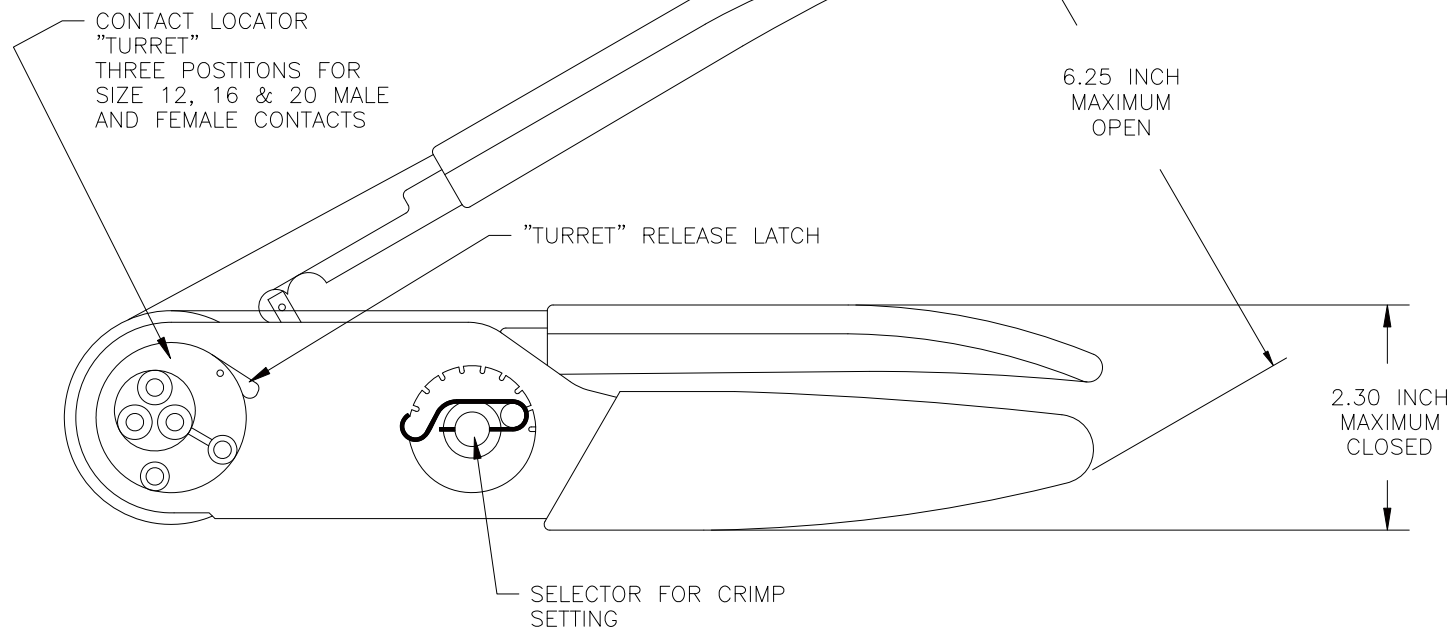


REVISIONS						
REV	ZONE	ECO	DESCRIPTION	DATE	BY	APPR
A1	-	-	RELEASE NUMBER 016571	6/12/09	B.D.B.	M.R.F.
A2	-	-	CORRECT ERROR, CRIMP SETTINGS FOR 16-22	5/29/18	RFC	RFC

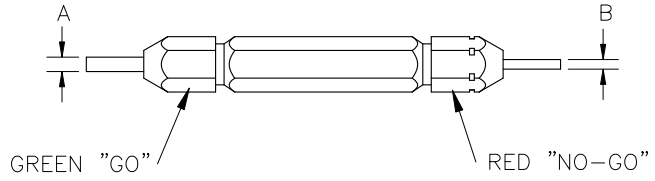


- NOTES:
- THE CA-5D12 IS A HAND OPERATED CRIMPER FOR ELECTRICAL CONTACTS. IT IS ADJUSTABLE TO 3 CONTACT SIZES (12, 16 & 20) AND 8 INDENTER CRIMP POSITIONS FOR DIFFERENT WIRE SIZES (12AWG THRU 26 AWG).
 - WEIGHT: 1.64 LBS
 - SELECTING CONTACT SIZE: PRESS THE RELEASE LATCH ON SIDE OF THE CONTACT LOCATOR "TURRET". ROTATE TO THE DESIRED CONTACT SIZE. THE TOP OF THE "TURRET" IS EMBOSSED WITH THE CONTACT SIZES.
 - SELECTING WIRE SIZE: REMOVE THE LOCKING CLIP. GRASP THE SELECTOR AND ROTATE TO THE DESIRED NUMBER.

CONTACT SIZE	LOCATOR "TURRET" POSITION COLOR	SELECTOR NUMBER							
		26 AWG WIRE	24 AWG WIRE	22 AWG WIRE	20 AWG WIRE	18 AWG WIRE	16 AWG WIRE	14 AWG WIRE	12 AWG WIRE
20-20	RED	1	2	3	4				
16-22	BLUE	1	2	3					
16-20	BLUE	1	2	3	4				
16-16	BLUE				4	5	6		
12-16	YELLOW				4	5	6		
12-12	YELLOW							7	8

GAGE PART NO.	A GO DIA.	B NO-GO DIA.	SELECTOR NUMBER
G125	.0390	.0440	4

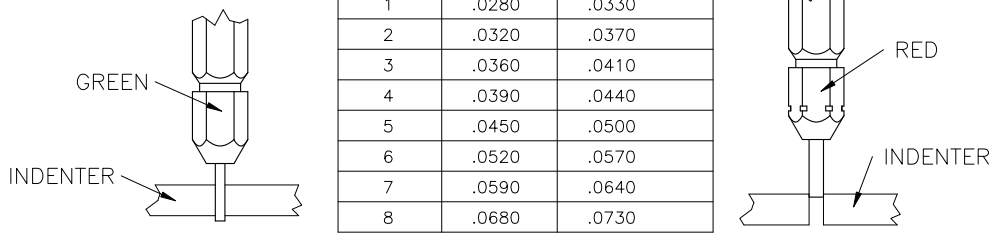
GAGING INSTRUCTIONS
CAUTION!
DO NOT CRIMP GAGE!



"GO" GAGING: OPERATE TOOL TO FULLY CLOSED POSITION. INSERT "GO" GAGE END AS SHOWN. GAGE MUST PASS FREELY BETWEEN INDENTER TIPS.

"NO-GO" GAGING: OPERATE TOOL TO FULLY CLOSED POSITION. INSERT "NO-GO" GAGE END AS SHOWN. THE "NO-GO" MAY PARTIALLY ENTER THE INDENTER OPENING, BUT MUST NOT PASS COMPLETELY THROUGH THE OPENING.

SELECTOR NUMBER	A ±.0001 GO DIA.	B ±.0001 NO-GO DIA.
1	.0280	.0330
2	.0320	.0370
3	.0360	.0410
4	.0390	.0440
5	.0450	.0500
6	.0520	.0570
7	.0590	.0640
8	.0680	.0730



QUANTITY	PART NUMBER	DESCRIPTION	ITEM
MATERIALS LIST			
UNLESS OTHERWISE SPECIFIED:		SIGNATURES	
1) All dimensions are in inches.		DRAWN: BERNUM 6/3/09	
2) Tolerances are as follows:		CHECKED: FORCE 6/3/09	
1 PL DEC ±0.05 Fractions ±1/64		ENGINEER: BERNUM	
2 PL DEC ±0.01 Angles ±1°		APPROVAL: BERNUM 6/3/09	
3) Fabrication Standards Per: S5-20020		CUSTOMER:	
4) Note Reference =		THE USE OF THIS DOCUMENT IS UNLIMITED. DESIGN FEATURES, SPECIFICATIONS, AND PERFORMANCE DATA SHOWN HEREON ARE THE PROPERTY OF AMPHENOL CORP. ALL DIMENSIONS ARE SUBJECT TO NORMAL MANUFACTURING VARIATIONS. DOCUMENTS REFERENCED HEREON MAY CONTAIN LIMITED RIGHTS DATA.	
MATERIAL SPECIFICATIONS: N/A		SINE Systems Corporation	
PROCESS SPECIFICATIONS:		A Subsidiary of Amphenol Corporation	
NEXT ASSY:		44724 Morley Drive	
		Clinton Township, MI 48036	
		INSTRUCTIONS FOR CA-5D12 CRIMPER, HAND, MACHINED CONTACTS	
SIZE: C	FSCM NO: 1GK44	DWG NO: S2-15219	REVISION: A2
SCALE: NONE	S2-15219		SHEET 1 OF 1

TITLE: CRIMPER, HAND, CA-5D12
DWG NO: S2-15219
REV: A2
SH: 1
OF: 1