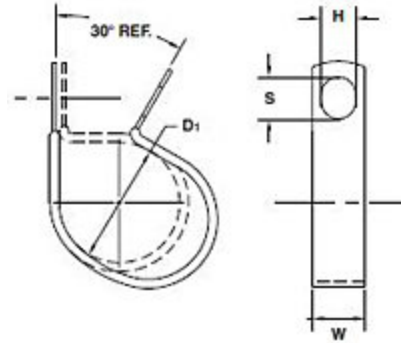


## Series COV Medium Duty Clamps



## Specifications

Clamping Diameter(D1)	0.250 "
Hole Diameter (H) ±.005	0.281 "
Width (W) ±.010	0.500 "
Hole Center To End (E) ±.015	0.312 "
Slot Length (S) ±.020	0.375 "
Material	Steel - ASTM A1008 CS type B
Cushion	Black Vinyl per ASTM D2287
Center To Center (L) ±.031	0.531 "
Gap (F) ±.031	0.031 "
Material Thickness (G)	0.032 "
Note	Parts Have One Round and One Slotted Hole
Available Finishes	COV0509G1 - .00015 min zinc with yellow chromate COV0509G2 - .0002 min zinc with yellow dichromate COV0509Z1 - G90 Per ASTM A653/A653M COV0509Z2 - .0002 min Zinc with clear chromate