

4

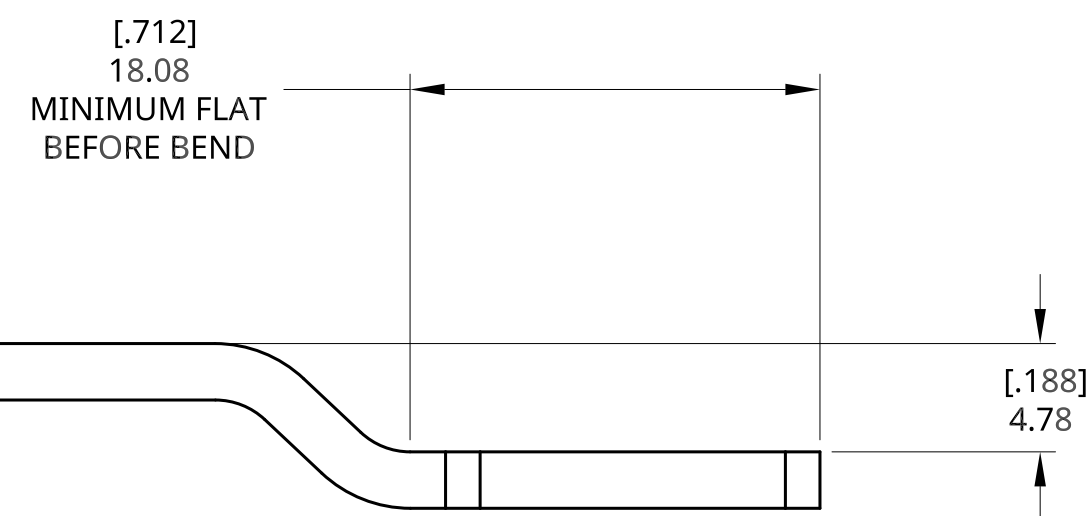
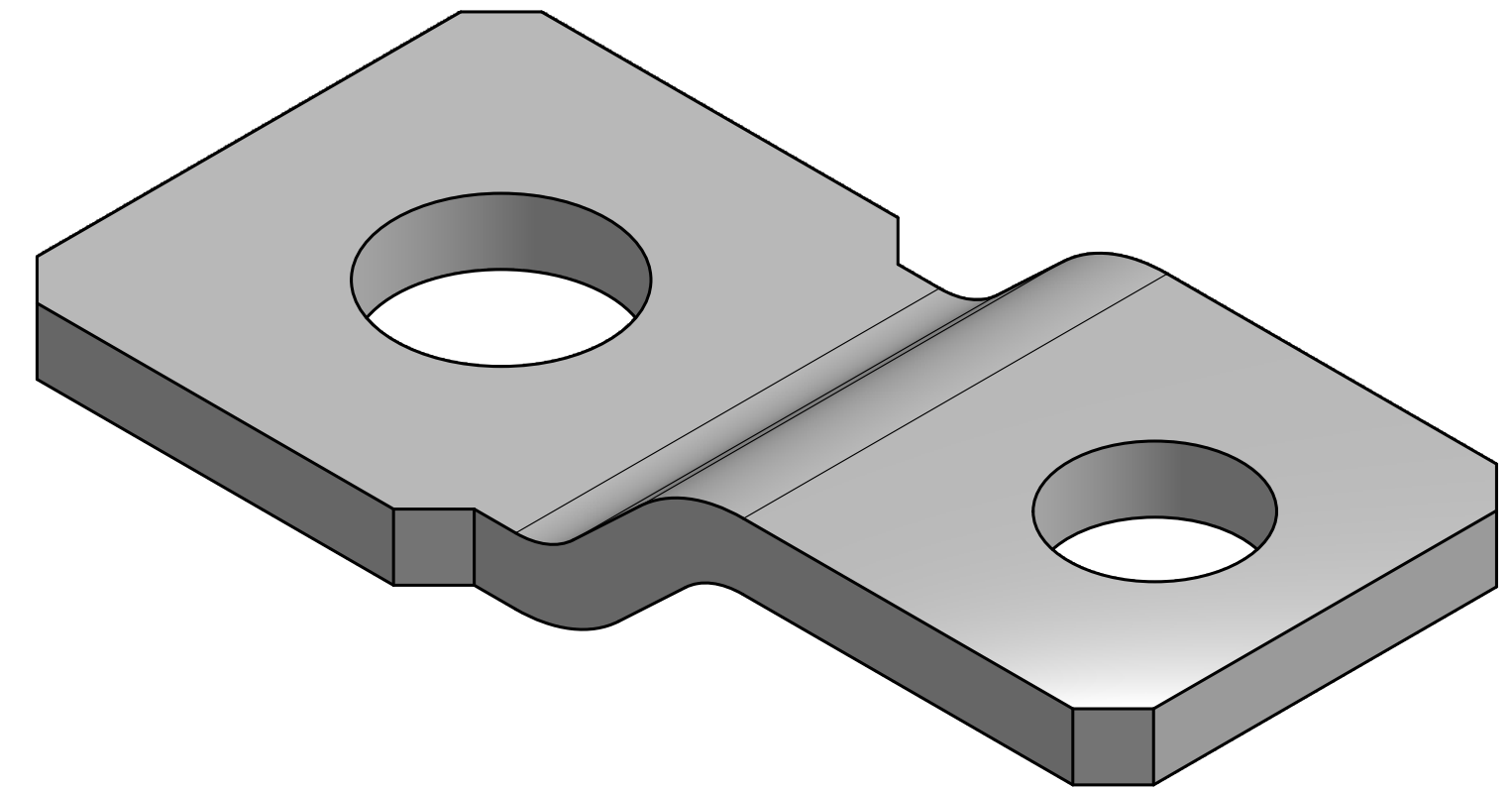
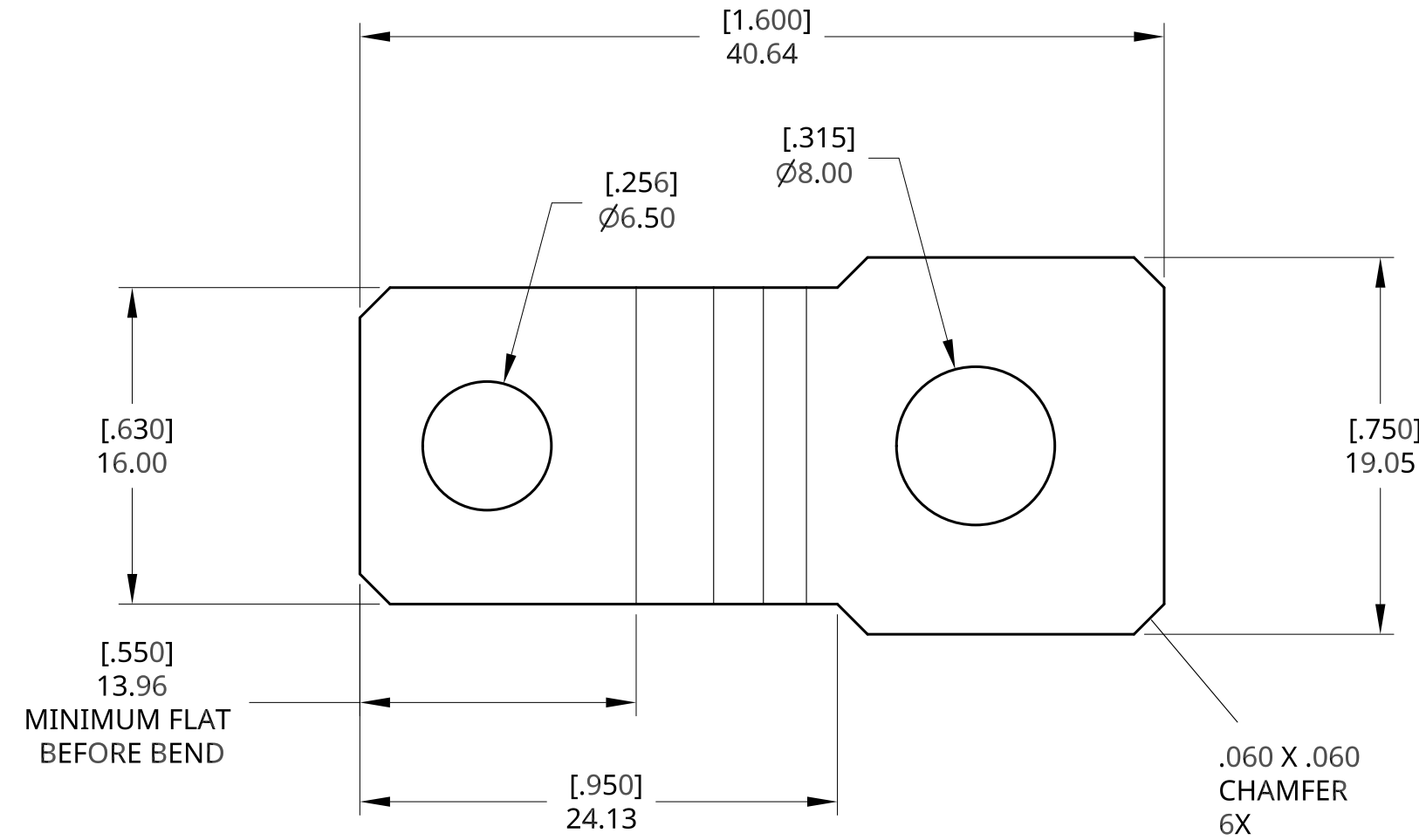
3

2

1

REVISIONS				
ZONE	REV.	DESCRIPTION	DATE	APPROVED

SCALE 3:1



SCALE 3:1

NOTES:

1. MATERIAL: COPPER C110 ELECTRICAL TOUGH PITCH
2. PLATING: BRIGHT TIN PLATE
3. ALL SHAR EDGES TO BE DE-BURRED

UNLESS OTHERWISE SPECIFIED, DIMENSIONS ARE IN MILLIMETERS .XX = ±.13 .XXX = ±.050	DRAWN	B Gbad	04/14/2019	 Egis Mobile Electric 3135 Mercer Ave, Ste 102 Bellingham, WA 98225, USA
	CHECKED			
	APPROVED			
	TITLE 901466 : OFFSET BUSBAR 3/16", COPPER, TIN PLATE			
SURFACE FINISH	THIRD ANGLE PROJECTION			SIZE C
DO NOT SCALE DRAWING	THIS DRAWING AND THE INFORMATION CONTAINED WITHIN IT ARE CONFIDENTIAL AND MAY NOT BE COPIED OR DISCLOSED WITHOUT THE WRITTEN PERMISSION OF EGIS MOBILE ELECTRIC.			DWG NO.
BREAK ALL SHARP EDGES AND REMOVE BURRS	SCALE NTS			WEIGHT
	SHEET 1 of 1			REV.

4

3

2

1

D

D

C

C

B

B

A

A