

Straight and 90 Degree, Nonmetallic, Liquidtight Fitting

Applications

For use with Type B, nonmetallic conduit

Features

- Constructed from UV rated for long life
- No spin ferrule allows easy one piece assembly to conduit
- Internal gland provides positive seal when nut is tightened
- Polypropylene sealing ring assures tight seal between fitting and box

Applicable Third Party Standards

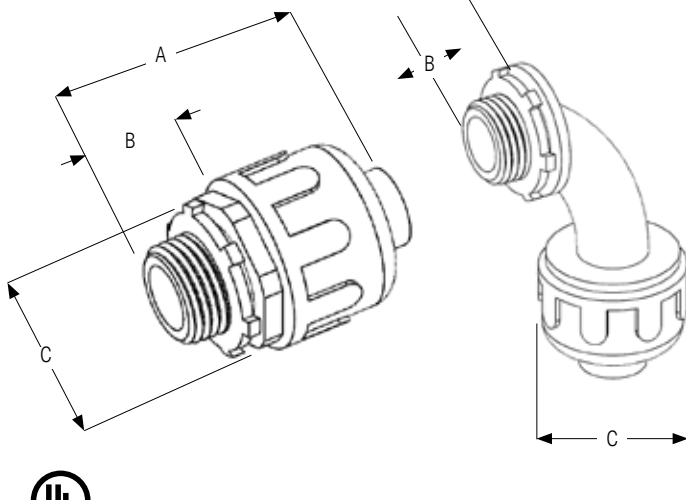
- Contact manufacturer for further UL Listing information
- Suitable for use in the following hazardous locations under NEC, Class I, Division 2; Class II, Division 1 and 2; and Class III, Division 1 and 2



Straight Multi-Piece Connector



Straight Multi-Piece 90 Degree Connector



Catalog Number	Trade Size (in)	Dim A (in)	Dim B (in)	Dim C (in)	Inner Pack	Master Pack	Weight Per C (lb)
Straight Connectors							
NMLT-38KON	3/8	1.545	0.535	1.406	25	100	6
NMLT-50KON	1/2	1.545	0.535	1.406	25	100	6
NMLT-75KON	3/4	1.593	0.550	1.593	10	50	9
NMLT-100KON	1	1.975	0.670	1.906	5	25	14
NMLT-125KON	1 1/4	2.293	0.645	2.438	5	25	27
NMLT-150KON	1 1/2	2.175	0.660	2.688	2	10	32
NMLT-200KON	2	2.438	0.670	3.375	2	10	44
90° Connectors							
NMLT-9038KON	3/8	2.242	0.562	2.313	10	50	8
NMLT-9050KON	1/2	2.242	0.562	2.375	10	50	8
NMLT-9075KON	3/4	2.550	0.545	2.843	10	50	12
NMLT-90100KON	1	3.150	0.630	3.688	5	25	21
NMLT-90125KON	1 1/4	3.420	0.645	4.656	5	25	40
NMLT-90150KON	1 1/2	4.510	0.660	4.469	2	10	51
NMLT-90200KON	2	4.850	0.670	5.281	2	10	77

Uncontrolled Document
Last Revision: 06.18.2021

