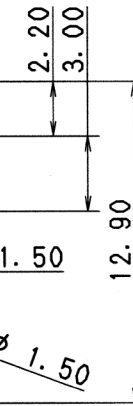
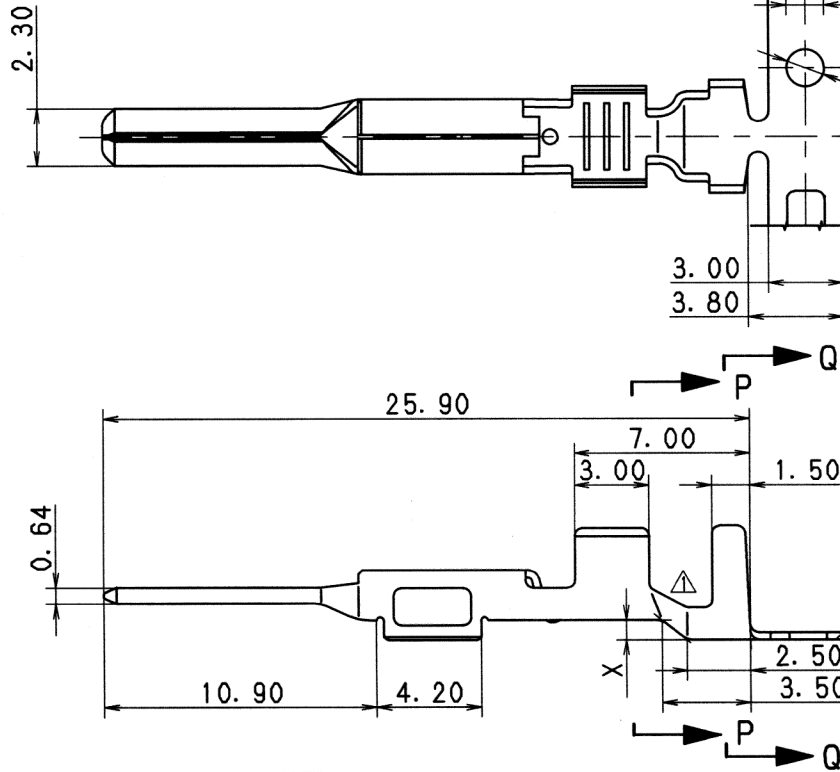


PART NO. AND CH. CODE	$\Delta W_1 \pm 0.4$	$\Delta W_2 \pm 0.4$	H ₁	H ₂	X	WIRE SIZE
7114-4025, Δ Δ (7B14-4025, Δ)	2.60	5.20	Δ (2.44)	Δ (4.13)	0.50	AVS 0.3~AVS 0.5 EQUIVALENT
7114-4026, Δ Δ (7B14-4026, Δ)	3.30	5.30	Δ (3.06)	Δ (4.00)	0.80	AVS 0.5~AVS 1.25 EQUIVALENT
7114-4027, Δ Δ (7B14-4027, Δ)	4.30	6.00	Δ (4.12)	Δ (5.02)	1.00	AVSS 2 EQUIVALENT

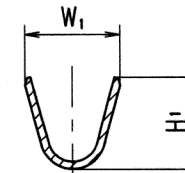


注記

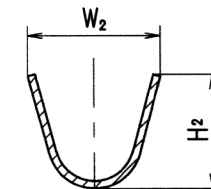
- Δ 1. 通用ゴム栓品番: 7158-3006-90 ETC.
- Δ 2. () 内品番は、エアバック (A/B) 回路及び特別管理回路に使用する時に適用すること。

NOTES

- Δ 1. APPLICABLE RUBBER STOPPER NO. : 7158-3006-90 ETC.
- Δ 2. PART NUMBERS IN PARENTHESIS SHALL BE USED FOR AIR BAG (A/B) CIRCUITS AND OTHER CIRCUITS DESIGNATED FOR SPECIAL MONITORING.



SEC. P-P



SEC. Q-Q

Δ 04.03.03	ADDED A/B PART NO.	C04-X114	S. N
Δ 01.06.06	ADDED A/B PART NO.	C01-X536	E. F
Δ 98.07.14	CHANGED DIMENSION	C97-N455	H. K
Δ 97.06.03	CHANGED FORM, Δ	C97-L889	H. K
88.07.18	NEW	8MC-0810	Y. S
LET	REVISION RECORD	NO.	CHKD

GENERAL TOLERANCE								VENDOR NO.							
	10MAX	50MAX	100MAX	250MAX	250QVR	ANGLE	ECCENT	DWG TYPE	DWG SOURCE	DWG DATE	UNIT	SCL	ANGLE		
A	± 0.15	± 0.2	± 0.3	± 0.5	± 0.75	$\pm 30'$	0.1	R	NEW	88.07.12	mm	5/1	3		
B	± 0.2	± 0.3	± 0.55	± 0.95	± 1.4	$\pm 30'$	0.1	APPROVED	CHECKED	CHECKED	DESIGN	DRAWN			
C	± 0.3	± 0.5	± 0.8	± 1.4	± 2	$\pm 30'$	0.15				M. TSUJI	Y. IMAI			
SPECIFIED							MASS								

CUSTOMER	CUSTOMER PART NO.	CUSTOMER DWG NO.
OFFICE	TRIAL PART NO.	
VENDOR		
VENDOR NO.		
DATE	04.03.08	09.03.05
DATE	04.03.04	87.03.04
DATE	04.03.04	04.03.03

MATL. Δ C2600 (t=0.30)	TREAT. & FIN.
SPEC. TIN PLATING	
NAME Δ 2.3II (090II) SEALED	
TERMINAL MALE	
PART NO. Δ 7114-4025 ETC. Δ (7B14-4025 ETC.)	
CH. CODE Δ	
DWG NO. 7114-4025:R	SET DWG NO.
YAZAKI CORPORATION	

ISSUE MARK