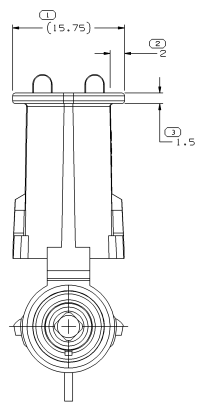
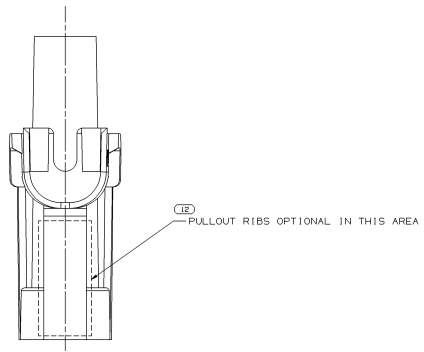
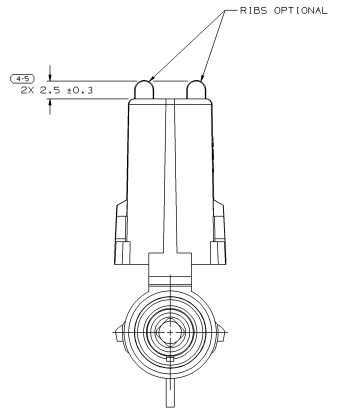


SYMBOL DEFINITION		MISSING NUMBERS		DWG STATUS			ZONE		REVISION HISTORY		AUTH	OR	APPROVAL
DATE	STG	REV	N/P	DATE	ZONE	DATE	STG	REV	N/P	DATE	STG	REV	N/P
12N0991	R	01	-	-	-	-	-	-	-	ALL PARTS - ADDED DIM	196952	EDV	DMC JA
19M101	R	02	-	-	-	-	-	-	-	REVISED MATERIAL FROM R0064366 TO R0071584 FOR 12020813.	209713	DT	OT RC
28SE01	R	03	-	-	-	-	-	-	-	UPDATED MATERIAL SPEC. - ALL PARTS	213806	DT	OT RC
28JA04	U	04	-	-	-	-	-	-	-	ALL PARTS - ADDED NOTE TO AREA ON CONNECTOR W/SE PULLOUT RIBS ARE ACCEPTABLE. UPDATED MATERIAL SPECS.	250663	LL	ALL U TM
25FE04	R	05	-	-	-	-	-	-	-	ALL PARTS - CORRECTED REVISION LEVELS REVISED DIM LG NOTE TO STATE "OPTIONAL"	251796	LL	ALL U TM

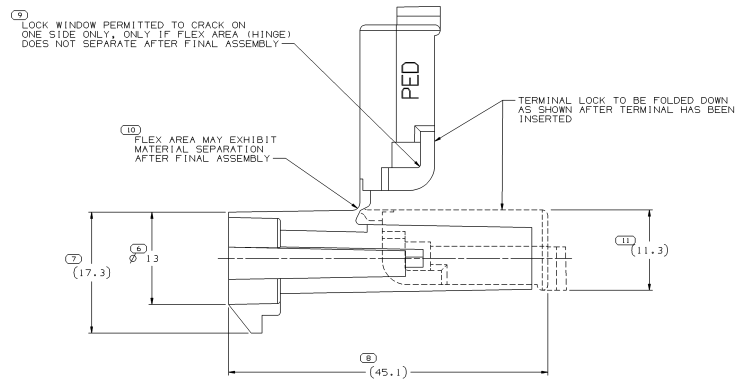


TYPE 102
SAME AS TYPE 101
EXCEPT AS SHOWN



INDEX CODE
(ALSO SEE HANDBOOK)

TYPE 101



NOTES:

- UNLESS OTHERWISE SPECIFIED AND/OR INDICATED: DIMENSIONS ARE TO FACE OF VIEW SHOWN AND AUTOMATICALLY ROUNDED BY COMPUTER FOR INSPECTION. (SEE MATH MODEL FOR PRECISE DIMENSION). FOR ALL OTHER DIMENSIONS NOT SHOWN BUT REQUIRED FOR TOOL BUILD, SEE MATH MODEL FOR PRECISE TOOL PATH DATA.
- MATING COMPONENTS OR EQUIVALENT: CONNECTOR 12015781; CABLE SEAL 12015323; TERMINAL 12089040
- SEALING CODE 3.
- CAUTION: DO NOT ATTEMPT TO COPY THIS DRAWING WHEN DESIGNING A MATING PART TO A WEATHER PACK CONNECTOR. PLEASE REQUEST THE LATEST COPY OF DRAWING NUMBER 12020064 FROM THE PACKARD ELECTRIC DIVISION.
- (2.31X(0.11) RAISED DELPHI CORPORATE BRAND TO BE LOCATED ON ANY EXTERIOR SURFACE, PREFERABLY VISIBLE AT FINAL ASSEMBLY. OPTIONAL CONSTRUCTION TO BE "PED" OR NO LOGO.
- MATERIAL RECYCLING CODE PER ISO 11469. (2.31X(0.11) RAISED CHARACTERS AS SHOWN TO BE LOCATED ON ANY EXTERIOR SURFACE. OPTIONAL CONSTRUCTION TO BE NO MATERIAL RECYCLING CODE.

PART NO	STG	REV	N/P	STATUS	TYPE	MATERIAL SPECIFICATION AND COLOR	APPLICATION	REF	TERMINAL GENDER	PART NUMBER (SI)	ASM MATING PART	VOL CM ³
12186965	R	A4	-	-	102	M3592001 PA66 HS IM BLK	IN-LINE			12089040/MALE		12015791 3.531
12020813	R	05	AC	-	101	M3592005 PA66 HS IM GRA MD	IN-LINE			12089040/MALE		12077615 3.358
12010996	R	E4	-	-	101	M3592001 PA66 HS IM BLK	IN-LINE			12089040/MALE	12047671	12015791 3.358

UNLESS OTHERWISE SPECIFIED DIMENSIONS ENCLOSED IN () INDICATE TOLERANCES AND NO TOLERANCE MULTIPLY BY THE FOLLOWING:

FR	±0.13	FR	±0.13
FM	±0.25	FM	±0.25
FN	±0.50	FN	±0.50
FO	±1.00	FO	±1.00
FA	±1.50	FA	±1.50
FB	±3.00	FB	±3.00
FC	±6.00	FC	±6.00
FD	±12.00	FD	±12.00

ALL DIMENSIONS ARE IN MILLIMETERS

THIRD ANGLE PROJECTION

USE MATH DATA

DELPHI
DELPHI PACKARD ELECTRIC SYSTEMS
WARREN, OH

DATE: _____

OR: _____

APPRO: E.L. MUNCISVALIS 30.A.96

APPRO: G.L. DIEZ 02A.95

APPRO: T.A. MADDEN 28.JA.04

APPRO: _____

SUBSTITUTES OF CONSIDER AND RETROFITTED CONTENT PER DELPHI 12045001

DRAWING NAME: TAXI CONN W/P SHD

DRAWING NUMBER: 12020814

SIZE: A0 SCALE: 4:1 DRAWING: 1 OF 1 SHEET NO: 1 REV: 05