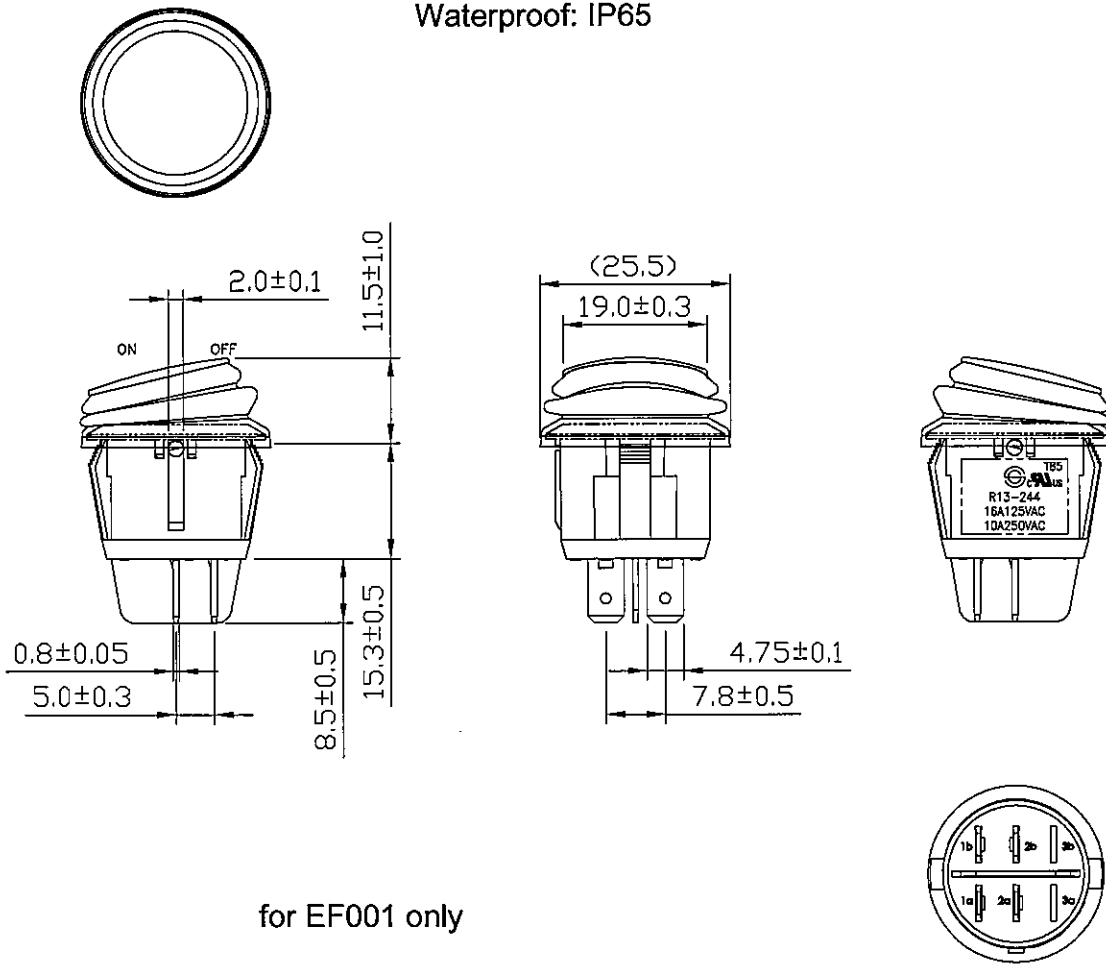
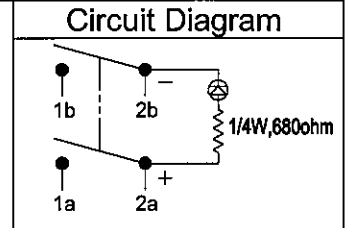


Rating	20A 14VDC	Mounting Hole	
Contact Resistance	50m ohm Max.		
Insulation Resistance	DC 500V 100M ohm Min.		
Dielectric Strength	AC 1500V 1 minute		
Operation Temperature	-25°C~85°C		
Switch Function	4P DPST ON-OFF (LED dependent)		

Frame: Black, Nylon 66 (94-V2)
 Actuator: Red, PC (94-V2)
 Waterproof rubber: Black, Silicone
 Terminals: Silver plated, Copper alloy
 Printed: None
 Waterproof: IP65



C8\客戶圖面\EF001\R13-244B8-02(44122)

						△
						△
Date	Name	Description			NO	
Drawn	Checked	Approved	SCI BOM NO.	Model Name	ROCKER SWITCH	
曹盈芳		王偉山	Customer No. 44122	Model No.	R13-244B8-02	Rev. 0
01/19/11		1/20/11	Unit mm	Shin Chin Industrial Co., Ltd.		