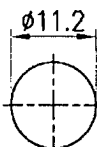
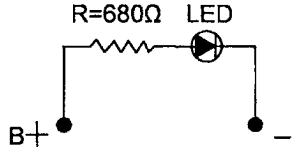
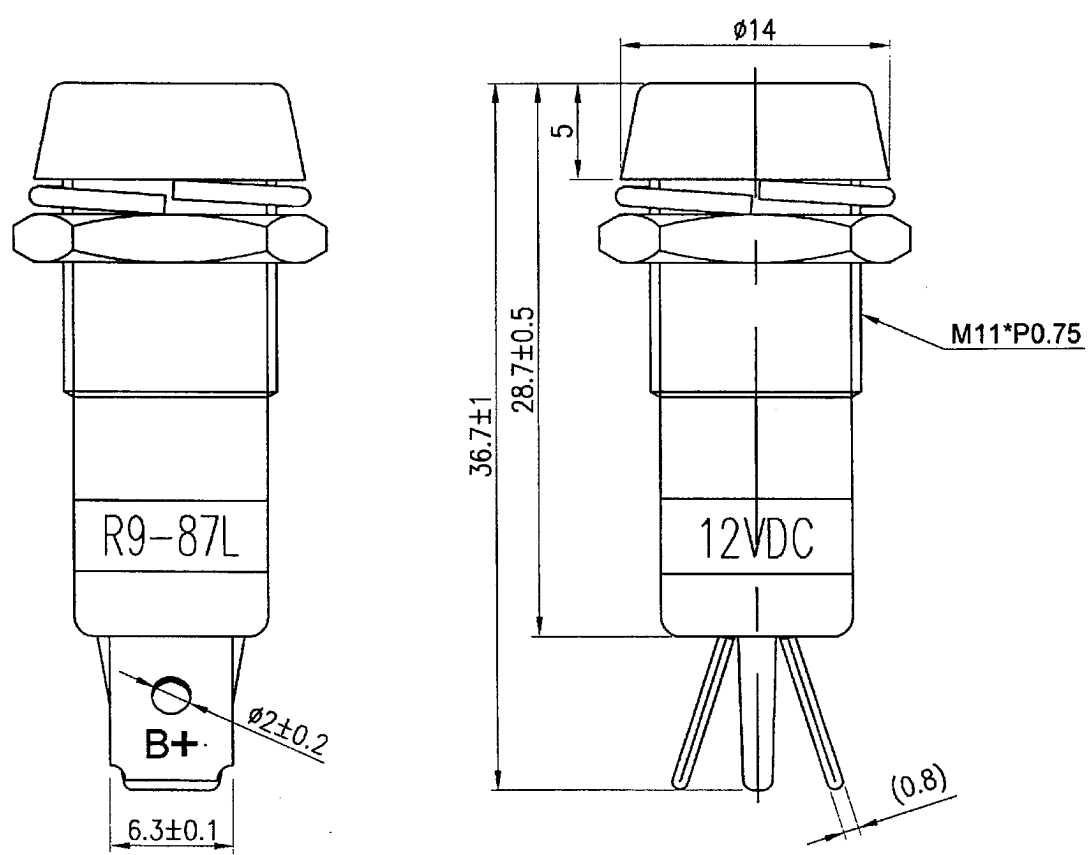



Rating	12V DC	Mounting Hole 	Circuit Diagram 
Insulation Resistance	DC 500V 100MΩ Min		
Dielectric Strength	AC 500V 1 minute		
Operation Temperature	-20°C~+85°C		

LED Color	LED Lens Color	VF	IF	Iv(mcd)	View Angle
Green	Green Diffused	2.2V	20mA	60	30°


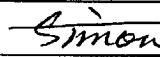
Material
 Body: Chromium Plated Brass
 Base: Black,PF
 Terminal: Nickel Plated Brass



原稿
 2015.6.26
 研發部

Label:  R9-87L 12VDC

Tolerances ±0.3 Unless Otherwise Specified

							△
							△
Date	Name	Description				No.	
Drawn	Checked	Approved	SCI BOM No.	1720110	Model Name	LED INDICATOR	
柳新強			Customer No.		Model No.	R9-87L-01	
06/11/15	6/12/15	6/13/15	Unit	mm	Shin Chin Industrial Co., Ltd.		
						Rev. 0	