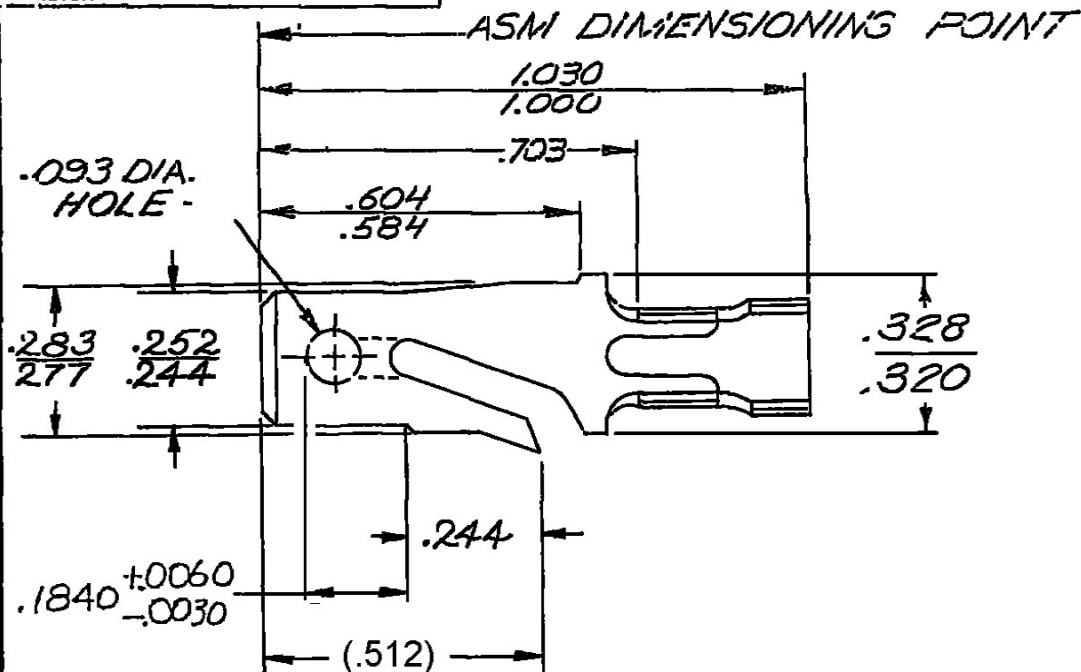


DO NOT SCALE

THIS DRAWING AND DESIGN HEREON CONSTITUTE A PROPRIETARY DESIGN OF PACKARD ELECTRIC DIVISION AND IS NOT TO BE DUPLICATED OR REPRODUCED WITHOUT AUTHORITY OF PACKARD ELECTRIC DIVISION.



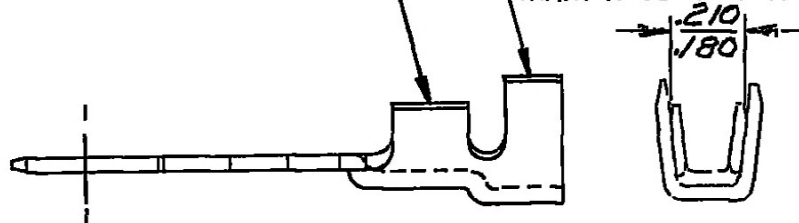
NOTES

1. DIMENSIONS ENCLOSED IN ( ) INDICATE REFERENCE DIMENSIONS AND NO TOLERANCE LIMITS ARE ESTABLISHED.



CONDUCTOR WINGS FOR 3.0 MM<sup>2</sup> CABLE.

INSULATION WINGS FOR 3.65 MM MAX. INSULATION DIA.



C02D1581

-OUTLINE DRAWING-

PART NO		2971859		SIZE	A
DATE	SYM	REVISION RECORD		C/M NO	
01SE82		ALL PREVIOUS DATA			
		REMOVED FROM REV.			
		COL THRU REV "AX"			
		REVISED PICTURE		82155	
01AU83AY		REV SYM ADVANCED		86126	
05DE05	AY4	REMOVED DIM (1 PLC) AND			
		ADDED DIM .1840 +.0060/.0030		274727	
14NO06	AY5	ADDED DIM .328/.320		286735	
23JL08	AY6	CORRECTED ORIGIN DIM TO			
		.1840 AND (.512) WAS .512		405418	
12JL10	AY7	ADDED "DIMENSIONS			
		ENCLOSED..." NOTE			
CODE NO		6900		TOLERANCE UNLESS OTHERWISE SPECIFIED	
				DECIMAL ±.005	
				FRACTIONAL	
				ANGULAR ± 2°	
DWG DATE	3-18-60	SCALE	NONE	DR	T ORR
ROUTING		DEPT		CHK	Liut 3-19-60
OUTST		REFERENCE		APPR	
				APPR	Liut 3-19-60
MATERIAL SPEC		.032 THK SAE CA 210 BRASS - TIN PLATED		CODE NO	
NAME		TERMINAL-MALE-'56 SERIES			
PART NO		2971859		SIZE	
				A	