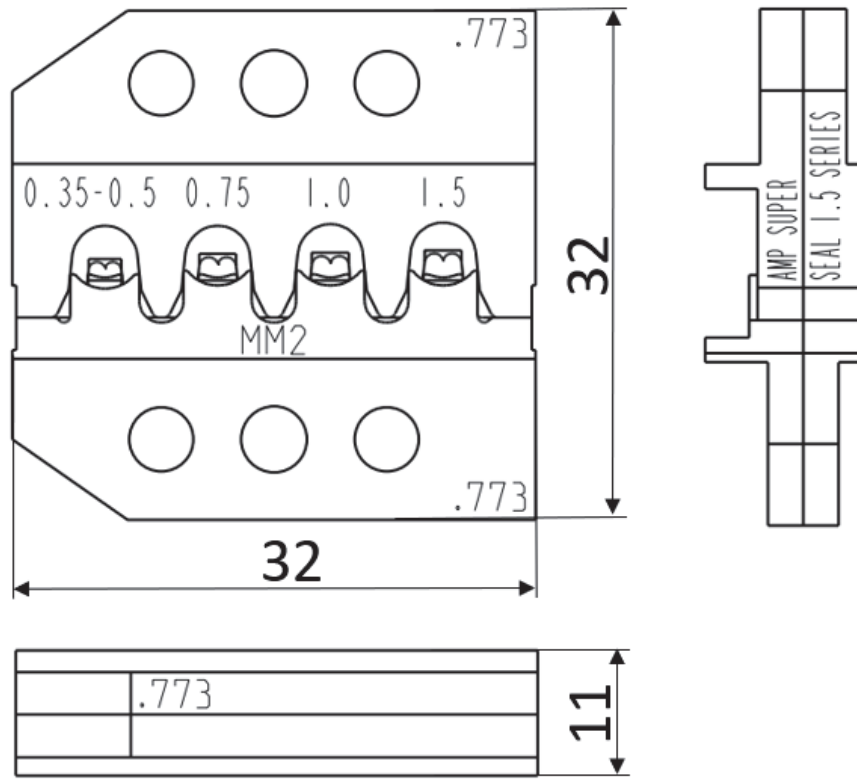


RENNSTEIG TOOLS, INC.

PRODUCT NAME

Rennsteig Crimping Die Set & Wire Stop for Mini Mic Superseal 1.5 terminals



Measurements in Millimeter.

SPECIFICATION

| P/N | Description | Application | Terminal P/N | Capacity | Applicable for |
|----------------|-------------|------------------------|------------------------------------|---------------------------------------|------------------------------|
| 624 773 3 0 RT | Die Set | Mini Mic Superseal 1.5 | 183035 183036 183025 183024 | 0.35-0.5 / 0.75 / 1.0 / 1.5 mm2 | Rennsteig Crimp System Tools |

RENNSTEIG TOOLS, INC.

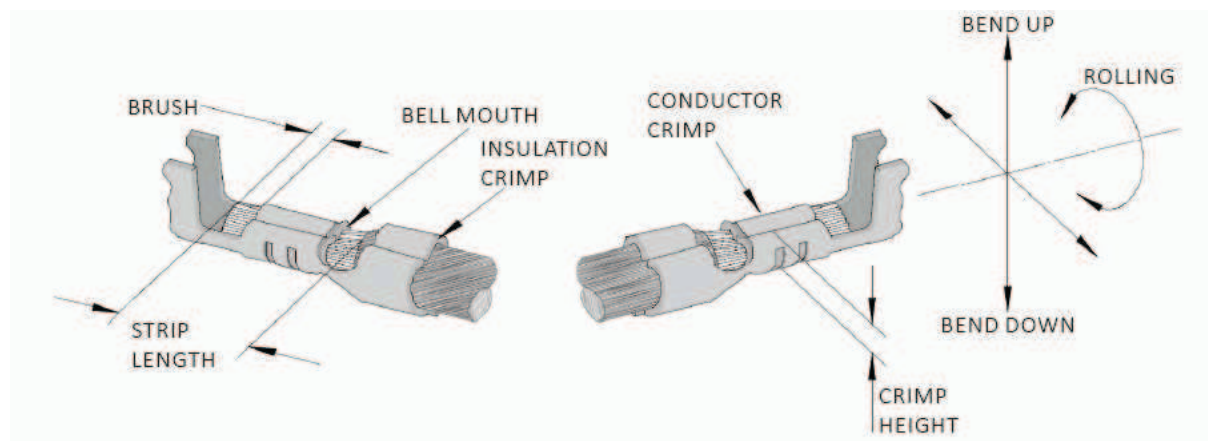
CRIMP SPECIFICATION

Core Crimp

| Terminal | Wire Size | Crimp height CCH (mm) | Crimp width CCW (mm) | Pull out force (N) DIN EN 60352-2 |
|-----------------|----------------------|--------------------------|-------------------------|---|
| 183035 183036 | 0.35 mm ² | 1.00 ± 0.05 | 2.03 ± 0.05 | 40 (nominal) |
| 183025 183024 | 0.75 mm ² | 1.29 ± 0.05 | 2.29 ± 0.05 | 80 (nominal) |
| 183025 183024 | 1.0 mm ² | 1.37 ± 0.05 | 2.29 ± 0.05 | 100 (nominal) |
| 183025 183024 | 1.5 mm ² | 1.53 ± 0.05 | 2.29 ± 0.05 | 130 (nominal) |

Insulation Crimp

| Terminal | Wire Size | Insulation height ICH (mm) | Insulation width ICW (mm) |
|-----------------|----------------------|-------------------------------|------------------------------|
| 183035 183036 | 0.35 mm ² | 3.90 ± 0.1 | 4.06 ± 0.1 |
| 183025 183024 | 0.75 mm ² | 3.70 ± 0.1 | 4.06 ± 0.1 |
| 183025 183024 | 1.0 mm ² | 3.80 ± 0.1 | 4.06 ± 0.1 |
| 183025 183024 | 1.5 mm ² | 3.90 ± 0.1 | 4.06 ± 0.1 |



The above terminal drawing is a generic terminal representation. It is not an image of a terminal listed in the scope.