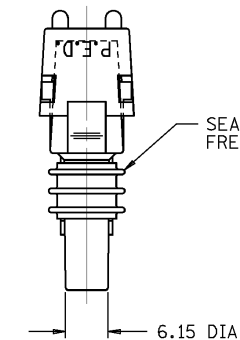


D

THIS DRAWING AND DESIGN HEREON CONSTITUTES A PROPRIETARY DESIGN OF PACKARD ELECTRIC DIVISION AND IS NOT TO BE DUPLICATED OR REPRODUCED WITHOUT AUTHORITY OF PACKARD ELECTRIC DIVISION.

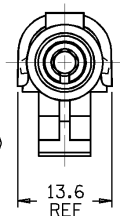
DO NOT SCALE

PACKARD ELECTRIC DIVISION
GENERAL MOTORS CORPORATION
WARREN, OHIO



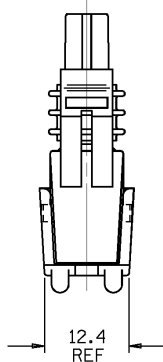
SEALING RIBS MUST BE FREE OF DEFECTS.

6.15 DIA

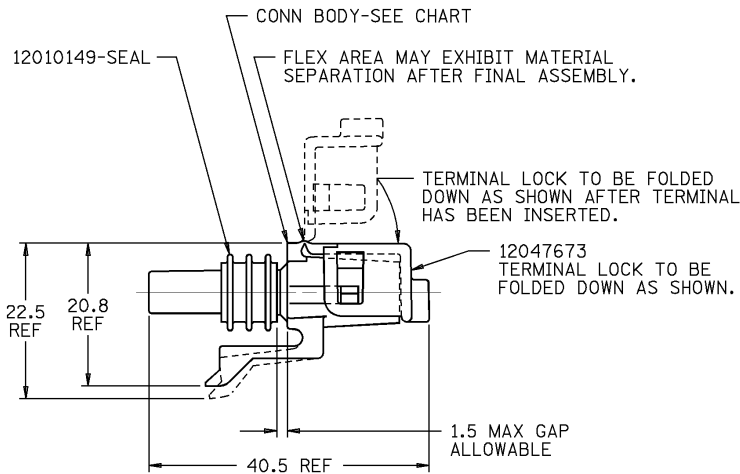


INDEX CODE
-1-
(ALSO SEE HANDBOOK)

13.6 REF



12.4 REF



12010149-SEAL

CONN BODY-SEE CHART

FLEX AREA MAY EXHIBIT MATERIAL SEPARATION AFTER FINAL ASSEMBLY.

TERMINAL LOCK TO BE FOLDED DOWN AS SHOWN AFTER TERMINAL HAS BEEN INSERTED.

12047673
TERMINAL LOCK TO BE FOLDED DOWN AS SHOWN.

22.5 REF

20.8 REF

40.5 REF

1.5 MAX GAP ALLOWABLE

- NOTES**
1. USE FEMALE TERMINAL 12089188 OR EQUIVALENT FOR 'IN-LINE' APPLICATIONS. USE MALE TERMINAL 12089040 OR EQUIVALENT FOR 'PANEL MOUNT' APPLICATIONS.
 2. USE CABLE SEAL 12015323 OR EQUIVALENT.
 3. WHEN PARTS ARE SHIPPED, THEY MUST BE PACKED IN PLASTIC BAGS OR SHIPPING CONTAINERS MUST BE LINED WITH PLASTIC LINERS. BAGS OR LINERS MUST BE SEALED TO AVOID ENTRY OF FOREIGN MATTER.
 4. SEALING CODE 3.
 5. WHEN DESIGNING A PART TO MATE TO THIS WEATHER PACK CONNECTOR, REQUEST THE LATEST COPY OF DRAWING NUMBER 12020084 FROM THE PACKARD ELECTRIC DIVISION.

12077615	A		12077614	ASM CONN 1F W/P TWR	IN-LINE	12089188/FEMALE	12020803
12047673	B		12089583	ASM CONN 1 W/P TWR	BLOCK-OFF	NONE	12010996
12041387	A	OBSOLETE	12041386	ASM CONN 1F W/P TWR	SIR IN-LINE	12089188/FEMALE	
12015791	A		12015781	ASM CONN 1F W/P TWR	IN-LINE	12089188/FEMALE	12010996
PART NO.	REV	STATUS	CONN BODY	STANDARD DESCRIPTION	APPLICATION	REF: TERMINAL/GENDER	MATING PART

DATE	SYM	REVISION RECORD	AUTHORITY	DR	CK
10SE90	---	ALL PARTS - REDRAWN & UPDATED TO LATEST STANDARDS WITH NO PHYSICAL CHANGE; ADDED NOTE #5 AND REVISED NOTE #1 - 12047673 - WAS ON SEPARATE "C" SIZE DRAWING - REVISION LEVELS REMAIN THE SAME	136029	SY	SY
28MY91	---	ALL PARTS - ADDED INDEX CODE; 13.6 REF WAS 13.60 REF; 12.4 REF WAS 12.35 REF; 40.5 REF WAS 40.3; 12077614 WAS 12047614 - NO REV			
23NO92	---	UPDATE REQ'D	142347	GC	GC
	---	12041387 - OBSOLETE	920003	TPM	TPM

PART NO.
1207 7616

		FILE SPEC: ****USER**** DGN#SPECIFICATION***** *****SYTIME*****
THIRD ANGLE PROJECTION		METRIC
		DIMENSIONS ARE IN MILLIMETERS UNLESS OTHERWISE SPECIFIED.
CODE NO.	6900	TOLERANCE UNLESS OTHERWISE SPECIFIED
Q.C.-C-5110		DECIMAL: ONE PLACE ±0.3 ANGULAR ±2° TWO PLACE ±0.15
DWG. DATE	01JL87	SCALE NONE
DR.	D.KASHIEN	01JL87
EST. NO.		CK. D.STEELE DATE 14JL87
REFERENCE NO.		APPR. R.J.CANNATTI DATE 16JL87
		APPR. DATE
MATERIAL SPEC. SEE DRAWING		
NAME ASM CONN 1 W/P TWR		
PART NO.	1207 7616	SIZE C