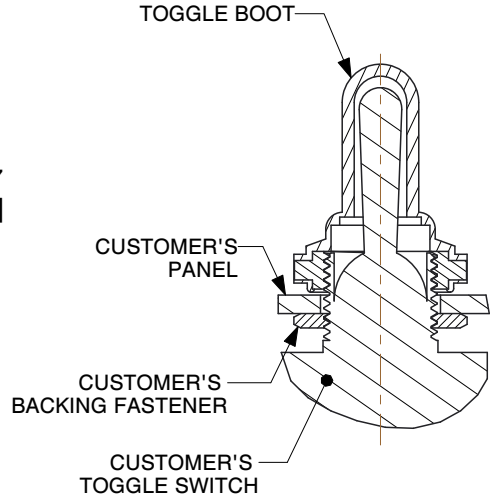
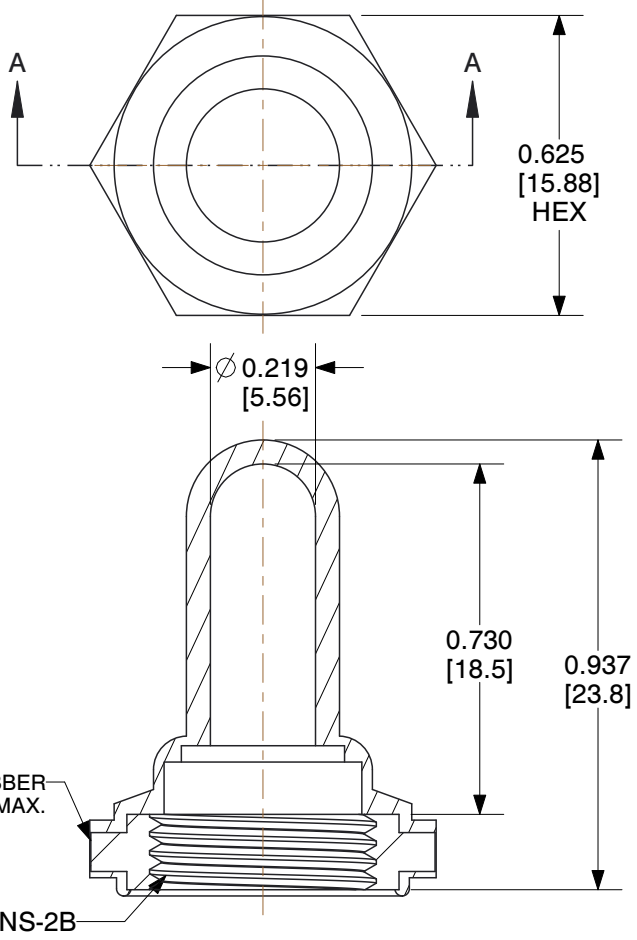
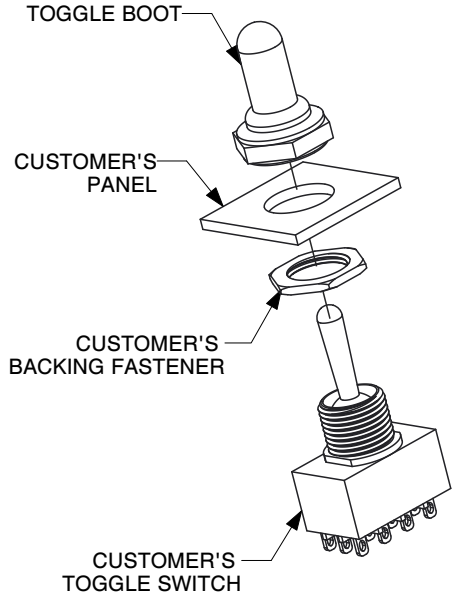


SPECIFICATIONS

Material: Silicone rubber conforms to ASTM D1418 GR50, Gray (unless otherwise specified).
Mounting Nut: Brass, Nickel Plated (unless otherwise specified).
Temperature Range: -80° F to +400° F (-62° C to +204° C).
Pressure Range: Exceeds 15 psi internal and 1500 psi external.
Operational Life: 50,000 actuations (minimum).
Shelf Life: Excess of 25 years.
Resistant to: Splash, salt spray, sunlight, ozone, weather, fungus, dust, and most acids and lubricating oils.
Agency Recognition: UL & ULC Recognized to UL Std. 50



PERMISSIBLE RUBBER OVERLAY 0.005" [0.127] MAX.

15/32-32 UNS-2B

NOTE:

1. DIMENSIONS ARE IN INCHES [MM].
2. SOME RUBBER IN THREADS IS PERMISSIBLE, PROVIDED IT DOES NOT INTERFERE WITH FINAL ASSEMBLY.

E	UPDATE FORMAT AND REDRAWN FOR ACCURACY.	DWN: DAN LAW	CHKD: KF/CJ/SM	11.07.17
D	REDRAWN	DWN: S. GOK	CHKD: J. CELLA	08.19.09
C	CAD COMPUTER GENERATED			09.23.02
B	REDRAWN			09.12.74
REV.	DESCRIPTION			DATE
<p>TOLERANCES UNLESS OTHERWISE NOTED .X ±0.1 .XXX ±0.005 .XX ±0.01 < ±1.0° RUBBER: RMA "A3" COMMERCIAL</p>		<p>TITLE: BOOT, TOGGLE</p>		<p>ENG. M. MORSE 12.07.57</p> <p>DWN.</p> <p>CHKD.</p>
<p>MAT'L: SEE SPECIFICATIONS</p>		<p>SCALE 2.5:1</p>		<p>DWG. NO. C1131/35</p>
<p>FINISH: SEE SPECIFICATIONS</p>				

THIS DRAWING IS THE PROPERTY OF APM HEXSEAL CORPORATION AND INCLUDES PROPRIETARY INFORMATION. THIS DRAWING IS NOT TO BE COPIED OR USED WITHOUT THE WRITTEN APPROVAL OF AN OFFICER OF APM HEXSEAL CORPORATION.