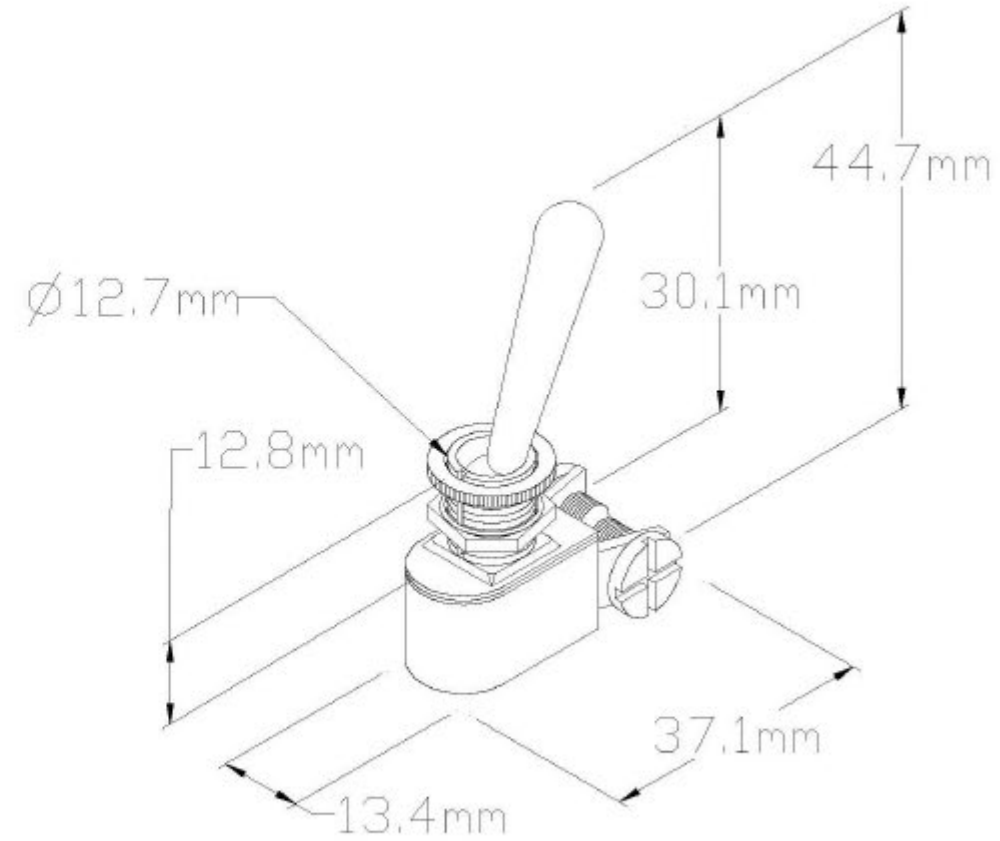


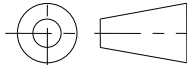
- RECESSED PLATED FOR TOGGLE SWITCH.
- ZNC PLATED STEEL PLATE.
- FITS 2" DIA PANEL HOLE.




REV	DESCRIPTION	ENG APP'L	ECN NO. AND DATE
A	ISSUED	AL	689231 01/19/2022

TECHNICAL INFORMATION DISCLOSED HEREIN IS THE CONFIDENTIAL PROPERTY OF GROTE INDUSTRIES, INC. AND IS ISSUED IN CONFIDENCE FOR ENGINEERING INFORMATION ONLY. IT MAY NOT BE REPRODUCED OR USED IN ANY WAY WITHOUT EXPRESS WRITTEN LICENSE FROM GROTE INDUSTRIES, INC.

**GCC**  
DENOTES GROTE CONTROL CHARACTERISTIC

 THIRD ANGLE PROJECTION

DR. BY: A.LEMANCZYK	SCALE: NONE	UNITS: MM
DATE: 01/19/2022	DO NOT SCALE DRAWING	
MATERIAL NO. N/A	CHECKED BY: R. Fisher	
MAT'L DESCRIPTION NOTED		
TITLE Toggle Plate for 82-2123		
 GROTE INDUSTRIES, LLC. MADISON, INDIANA U.S.A.		
SIZE B	PART/DWG NO. 82-2124	REV. A SHT # 1 of 1
SYSTEM/REV. MS WORD		3D DATA: NO