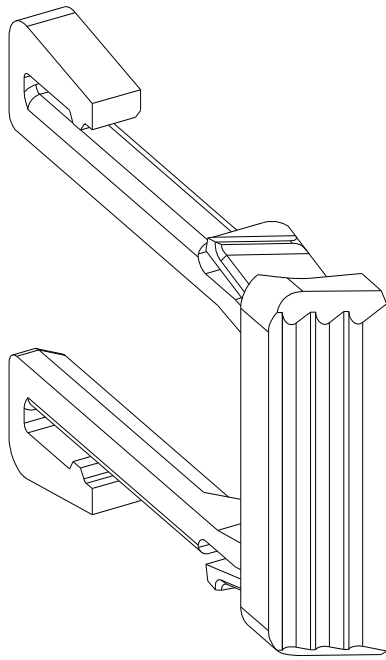



2


3

REV	REVISION DETAILS	ECO	DATE	BY	ABY
0	INITIAL PRODUCTION RELEASE	13194	04-24-2017	RRR	JML



ISO VIEW
FOR REF ONLY

<p>CONFIDENTIAL</p> <p>The information contained in this document is the property of GEP Power Products. It is not for public disclosure. Possession of the information does not convey any right to loan, sell or disclose the information. Unauthorized reproduction or use of the information is prohibited. This document is to be returned to GEP Power Products upon completion of the purpose for which it is loaned or upon request.</p>	
<p>TOLERANCES UNLESS OTHERWISE SPECIFIED</p>	<p>THIRD ANGLE PROJECTION</p> 
<p>METRIC TOL</p> <p>1 PL DEC. = ±.25 2 PL DEC. = ±.13</p>	<p>ENGLISH TOL</p> <p>2 PL DEC. = ±.01 3 PL DEC. = ±.005</p>
<p>1 PL DEC. = ±.25 2 PL DEC. = ±.13</p>	<p>ANGULAR TOL = ±2° FRACTION TOL = ±1/64 IN</p> <p><small>SPECIAL REQUIREMENTS</small> <small>DO NOT DIMENSION ON FEATURES TO BE CHANGED OR ADJUSTED. DO NOT CHANGE OR ADJUST ANNUAL MAINTENANCE ON TOOLING.</small> <small>ALL DIMENSIONS OR FEATURES TO BE CHECKED FROM RUN TO RUN</small></p>
<p>COPYRIGHT - GEP POWER PRODUCTS</p> <p>This is unpublished work. The disclosure of this work is limited to a select personnel. Further dissemination or disclosure to the public is PROHIBITED. This unpublished work is protected by Federal Copyright law and all rights thereunder are reserved by GEP Power Products.</p>	

		16830 Pheasant Drive Brookfield, WI 53005	
PART NO: FRH-A-CPA		CUSTOMER: CPA - PDM, FRH	
DESCRIPTION:		STANDARD	
METRIC (MM)	REV 0	SHEET 1 OF 2	SCALE 2:1
SIZE		A	

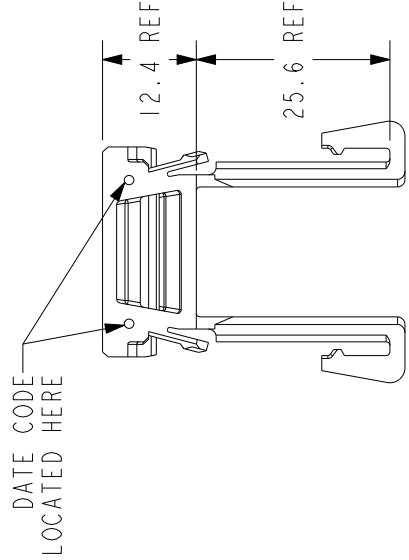
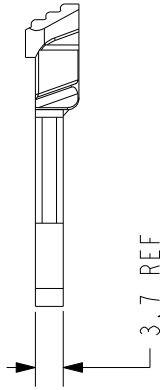
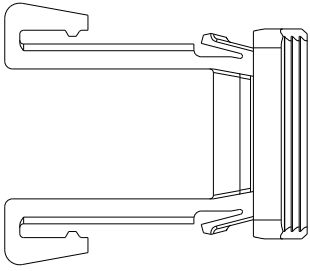
A

B

C

2

3



- NOTES:
- 1. MATERIAL: UNFILLED POLYESTER
 - 2. COLOR: BLUE
 - 3. PART TO BE FREE FROM FLASH AND BURRS



16830 Pleasant Drive
Brookfield, WI 53005

PART NO:		FRH-A-CPA	
DESCRIPTION:		CPA - PDM, FRH	
CUSTOMER:		STANDARD	
METRIC (MM)	REV	SHEET	SCALE
	0	2 OF 2	1:1
			SIZE
			A