
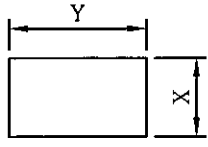
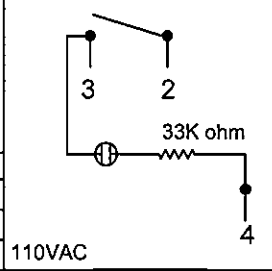
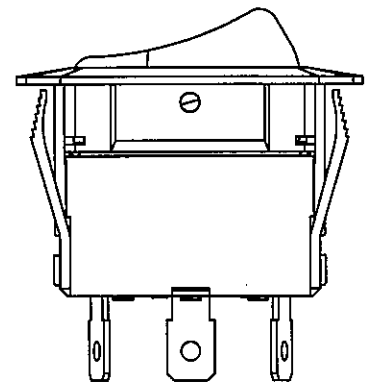
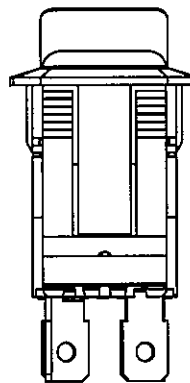
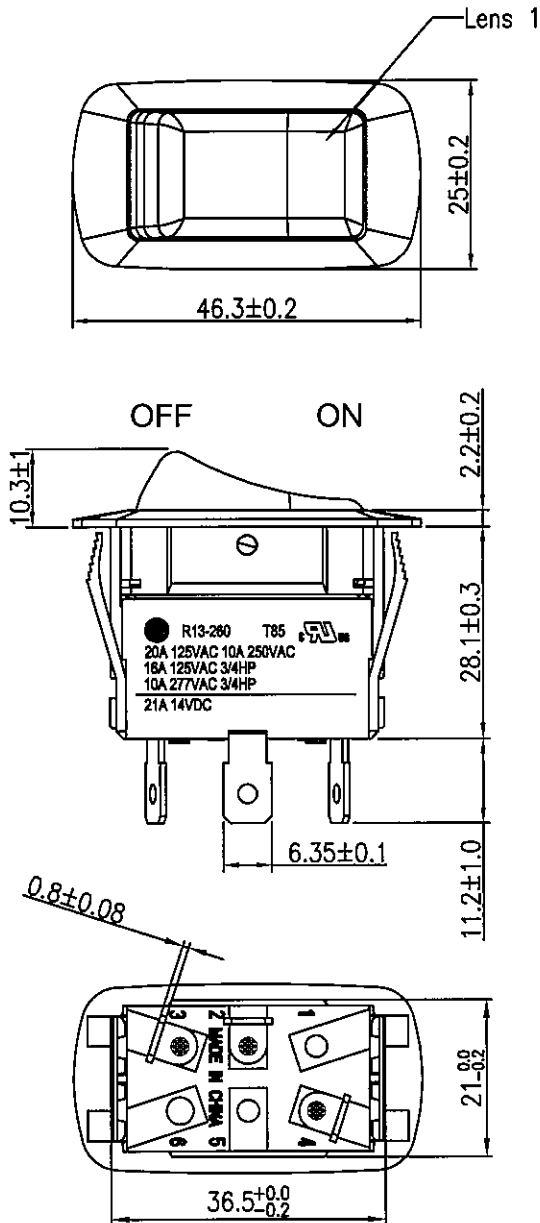


Rating	20A 125VAC		Mounting Hole			Circuit Diagram
	16A 125VAC 3/4HP					
Contact Resistance	50m ohm Max.					
Insulation Resistance	DC 500V 100M ohm Min.					
Dielectric Strength	AC 1500V 1 minute					
Operation Temperature	-20°~85°	Thickness(mm)	X(mm)	Y(mm)		
		0.75~1.25		36.6 ^{+0.2} ₋₀		
Switch Function	3P SPST ON-OFF(Neon)	1.25~2.0	21.2±0.1	36.8 ^{+0.2} ₋₀		
		2.0~3.0		37.0 ^{+0.2} ₋₀		
					110VAC	



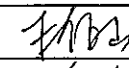
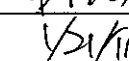
MATERIAL:

- Frame: Nylon 66, Black
- Actuator: Nylon 66 with 33%GF, Black
- Lens: PC, Red
- Lamp: Neon, Red
- Water proof and dust proof to fit IP-56



for EF001 only

C8\客戶圖面\EF001\R13-260A4-01-BBRN-11100(44124)

							△
							△
Date	Name	Description				NO	
Drawn	Checked	Approved	SCI BOM NO.	Model Name	ROCKER SWITCH		
曹盈芳			Customer No. 44124	Model No.	R13-260A4-01-BBRN-11100	Rev.	0
01/21/11			Unit mm	Shin Chin Industrial Co., Ltd.			0