

4

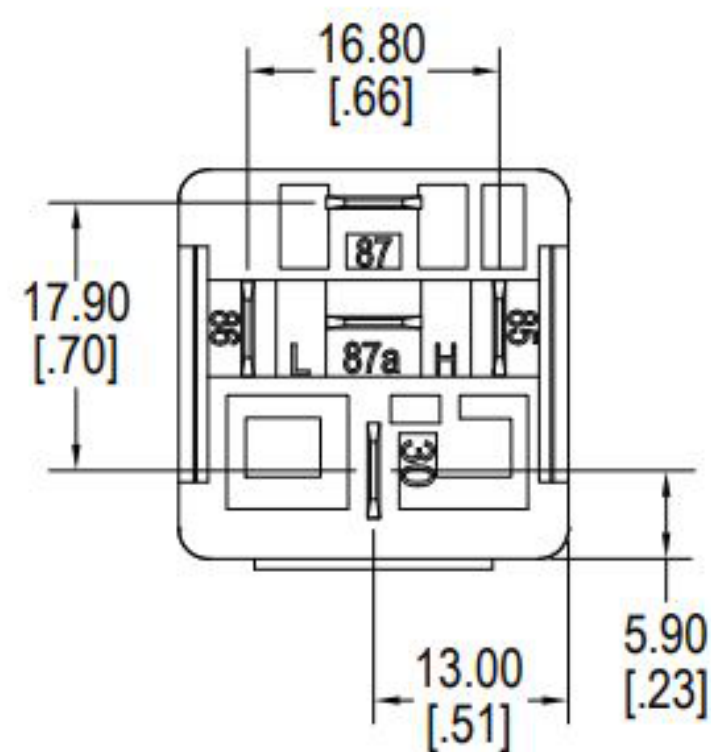
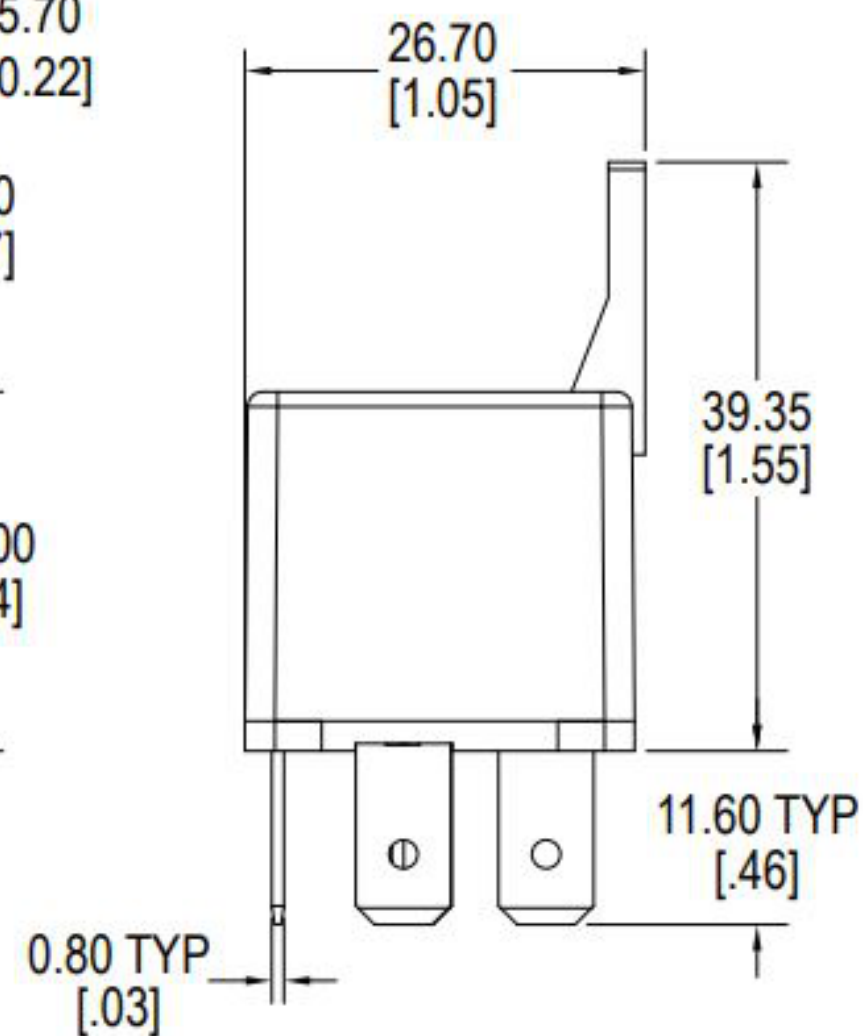
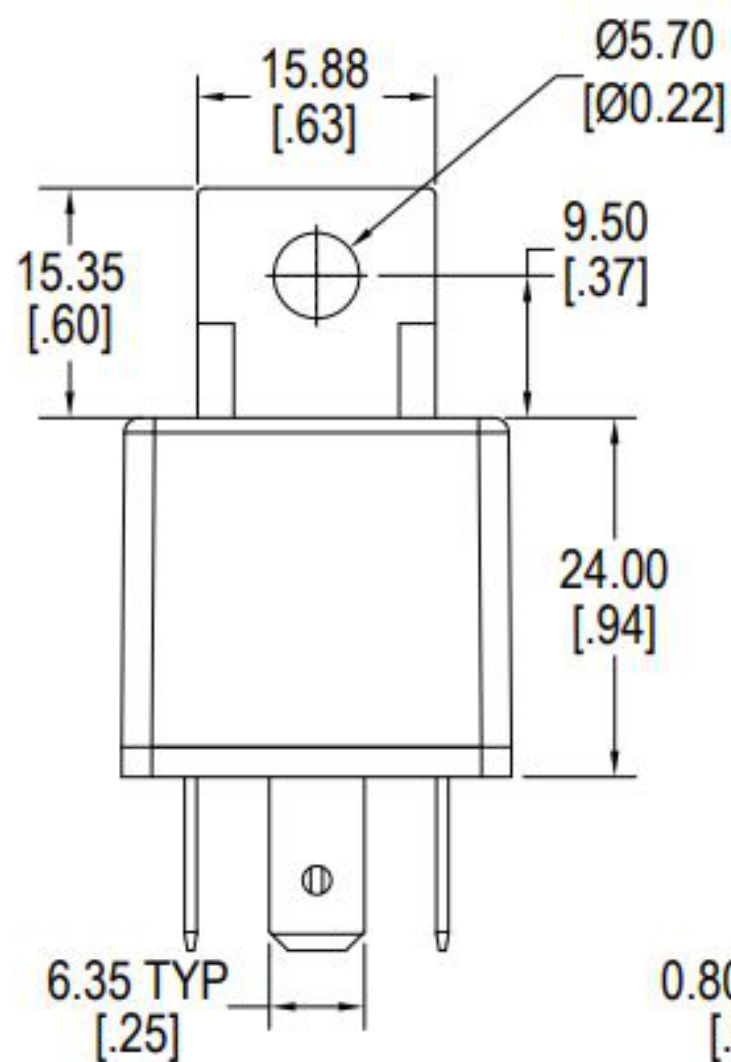
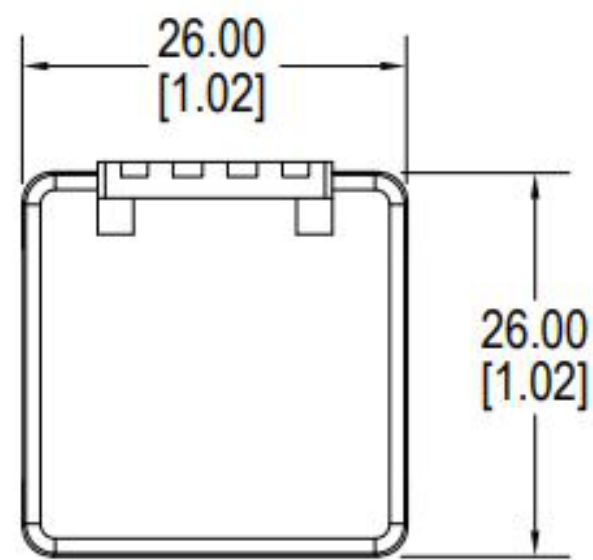
3

2

1

REVISIONS




ZONE	REV.	DESCRIPTION	DATE	APPROVED
	B	RELEASE FOR PRODUCTION	3/9/22	

**Environmental Specifications**

Ignress Protection: IP54, sealing in accordance with IEC 68
 Ambient temperature: -40°C to +125°C
 Storage temperature: -40°C to +155°C
 Dry heat, IEC 60068-2-2: 500h at 100°C
 Damp heat constant, IEC 60068-2-3 (78), Ca
 - 56 days, 40°C, 93% RH
 Corrosive gas
 - IEC 60068-2-42: 10 days
 - IEC 60068-2-43: 10 days
 Vibration resistance (functional)
 - IEC 60068-2-6 (sine sweep): 10 to 500Hz >5g)
 Shock resistance (functional)
 - IEC 60068-2-27 (half sine): 11ms >20g)
 Drop test, free fall
 - IEC 60068-2-32: 1m onto concrete
 Terminal retention
 pull force: 100N
 push force: 100N
 Weight approx.: 31g (1.3oz)

Contact Specifications

Contact arrangement: 1 Form C / 1 NO/NC
 Rated current: 40A at 85°C
 Limiting continuous current
 - 85°C Ambient: 40A
 - 125°C Ambient: 30A
 Limiting making current, load current max. 3s on,
 - make/break ratio(1:10): 40A
 Limiting breaking current: 40A
 Contact material: Silver Tin Oxide
 Min. recommended contact load: 0.5A at 12VDC
 Initial contact resistance: 30mOhm @ 0.25 A / 6 Vdc
 Frequency of operation, with/without load: 6 ops./min
 Operate/release time typ. at nominal voltage: 7/2ms
 Electrical endurance
 - resistive load: 100,000 cycles at 40A, 13.5VDC
 Mechanical endurance: >1,000,000 operations
 Max. coil temperature: 155°C
 Rated Coil Voltage: 12 Vdc
 Operate Voltage: 8.8 Vdc
 Release Voltage: 1.5 Vdc
 Coil Resistance (+/- 10%): 24 Ohms
 Rated Coil Power: 1.6 Watts
 Maximum Contact Voltage: 75 Vdc

UNLESS OTHERWISE SPECIFIED, DIMENSIONS ARE IN MILLIMETERS .XX = ±.13 ANGULAR = ± ° .XXX = ±.050 FRACTIONAL = ±	NAME	DATE	 Egis Mobile Electric 3135 Mercer Ave, Ste 102 Bellingham, WA 98225, USA
	DRAWN Eric Graham	07/25/2022	
SURFACE FINISH 	CHECKED		TITLE
DO NOT SCALE DRAWING	APPROVED		901770 40A/12V RELAY - FORM C
BREAK ALL SHARP EDGES AND REMOVE BURRS			SIZE C
THIRD ANGLE PROJECTION 	THIS DRAWING AND THE INFORMATION CONTAINED WITHIN IT ARE CONFIDENTIAL AND MAY NOT BE COPIED OR DISCLOSED WITHOUT THE WRITTEN PERMISSION OF EGIS MOBILE ELECTRIC.		DWG NO.
	SCALE NTS	WEIGHT	REV. 1 of 1

4

3

2

1