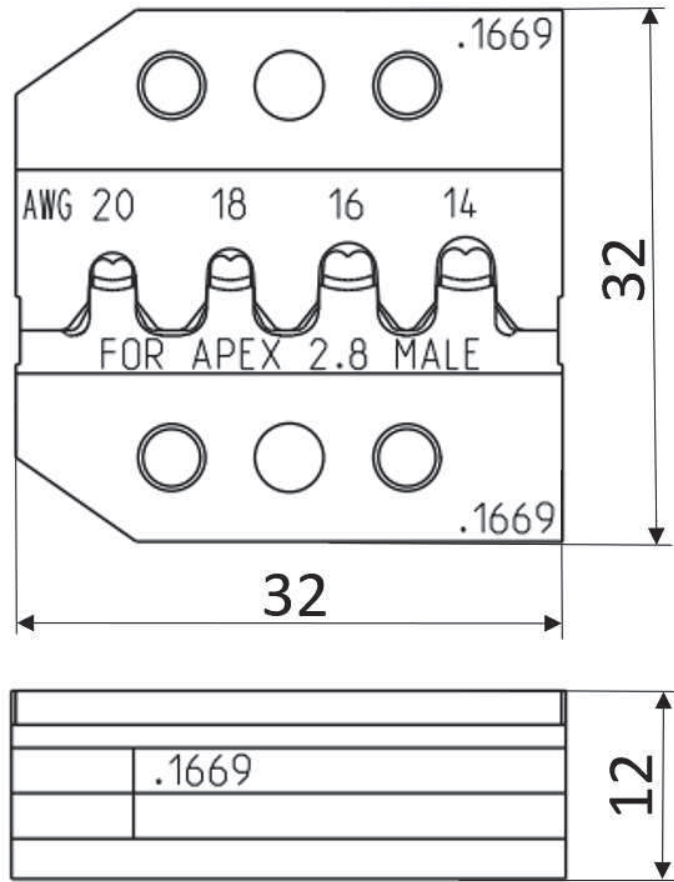


RENNSTEIG TOOLS, INC.

PRODUCT NAME

Rennsteig Crimping Die Set for APEX 2.8 Series terminals



Measurements in Millimeter.

SPECIFICATION

P/N	Description	Application	Terminal P/N	Capacity	Applicable for
624 1669 3 0 RT	Die Set	APEX 2.8 Series	54001801, 54001401	AWG 20/18/16/14	Rennsteig Crimp System Tools

RENNSTEIG TOOLS, INC.

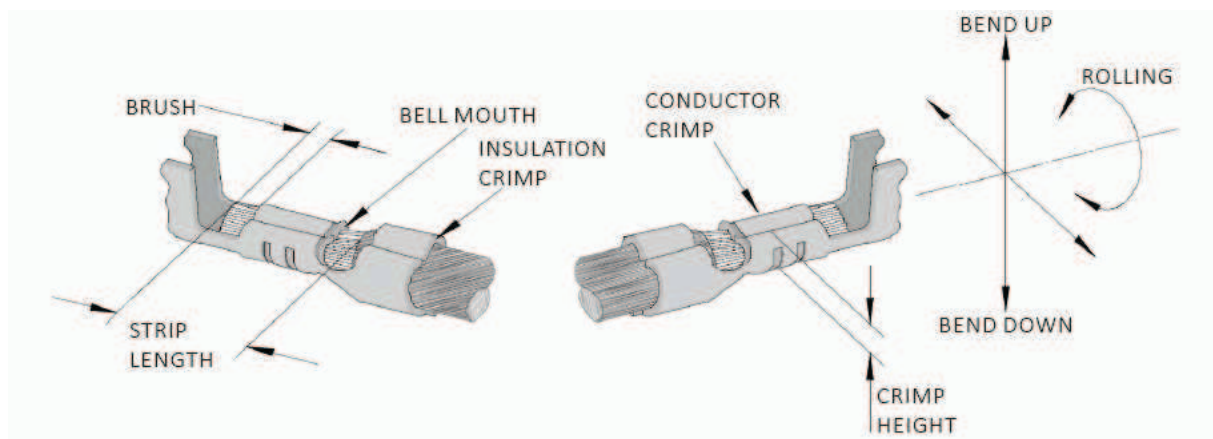
CRIMP SPECIFICATION

Core Crimp

Terminal	Wire Size	Crimp height CCH (mm)	Crimp width CCW (mm)	Pull out force (N) DIN EN 60352-2
54001801	AWG 20	1.35 ± 0.05	2.45 ± 0.1	60 (nominal)
54001801	AWG 18	1.50 ± 0.05	2.45 ± 0.1	90 (nominal)
54001401	AWG 16	1.80 ± 0.05	3.05 ± 0.1	135 (nominal)
54001401	AWG 14	1.95 ± 0.05	3.05 ± 0.1	200 (nominal)

Insulation Crimp

Terminal	Wire Size	Insulation height ICH (mm)	Insulation width ICW (mm)	
54001801	AWG 20	2.30 ± 0.1	2.80 ± 0.1	
54001801	AWG 18	2.50 ± 0.1	2.80 ± 0.1	
54001401	AWG 16	2.89 ± 0.1	3.60 ± 0.1	
54001401	AWG 14	3.23 ± 0.1	3.60 ± 0.1	



The above terminal drawing is a generic terminal representation. It is not an image of a terminal listed in the scope.