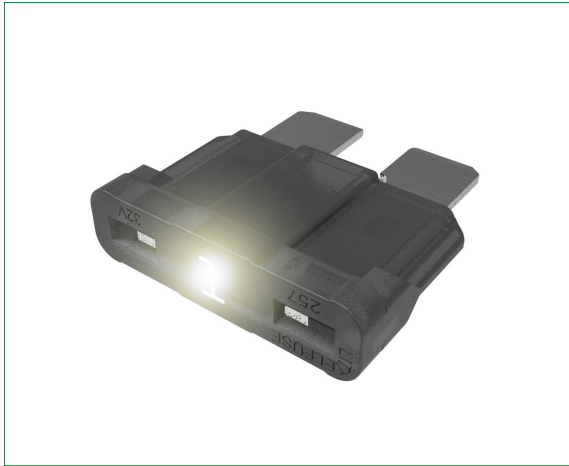


Indicator ATO Smart Glow fuse

Rated 32 V DC

RoHS



Description

Each ATO® Smart Glow fuse includes an indicator light that comes on when the fuse blows. These innovative 32 V blade fuses perform similarly to ATO 287 Series, ATOF®, and ATO Silver fuses. The newer fuses replace obsolete ATO Series 257 fuses.

Features & Benefits

- Color-coding indicates ampere rating
- High-contrast ampere rating stamp aids identification
- See-through housing makes it easier to see when fuse blows
- Depending on use, ATO Smart Glow fuses can replace fuses of the same ratings from the ATO® 287, ATOF®, and ATO Silver series

Applications

Use to protect circuits in Cars and SUVs, Trucks, Buses, Offroad vehicles and Watercraft as approved by Littelfuse.

Ratings

Color Code	Current Rating (A)	Carded	
		Material #	Catalog #
Black	1	--	--
Gray	2	--	--
Violet	3	OAT0003.VPGLO	10-0003
Pink	4	--	--
Tan	5	OAT0005.VPGLO	10-1000
Brown	7.5A	OAT007.5VPGLO	10-0007
Red	10A	OAT0010.VPGLO	10-1001
Blue	15A	OAT0015.VPGLO	10-1002
Yellow	20A	OAT0020.VPGLO	10-1003
Clear	25A	OAT0025.VPGLO	10-1004
Green	30A	OAT0030.VPGLO	10-1005
Orange	40A	--	--



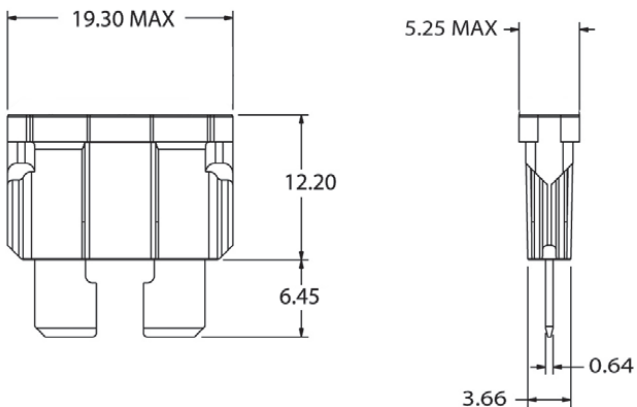
SMART GLOW Fuse®

Indicator ATO Smart Glow fuse

Rated 32 V DC

Dimensions

Dimensions in mm

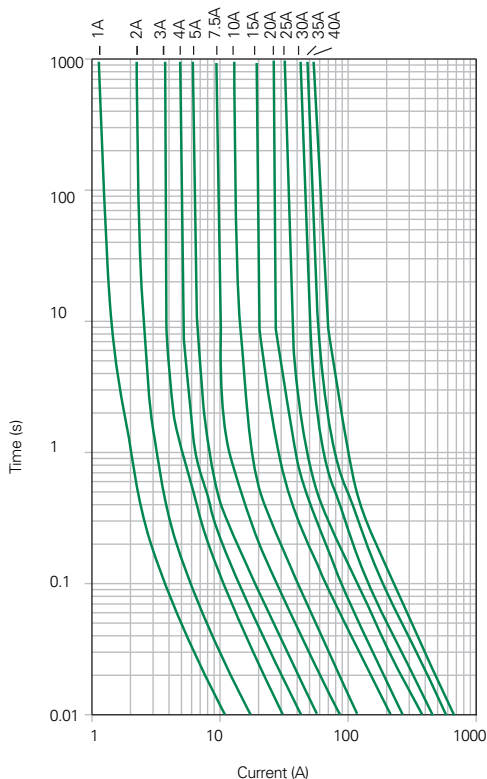


**SMART
GLOW** Fuse®

Indicator ATO Smart Glow fuse

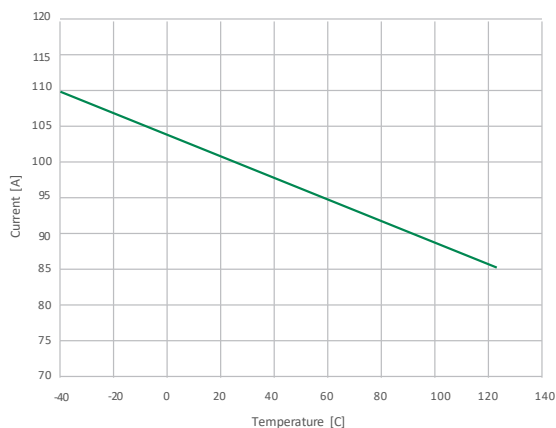
Rated 32 V DC

Time-Current Characteristic



% of Rating	Opening Time	Opening Time Min / Max (s)
100	35-40	360,000 s / -
110	1-30	360,000 s / -
135	1-2	350ms / 600 s
	3-40	0.750 s / 600 s
200	1-2	100 ms / 5.0 s
	3-40	0.150 s / 5.0 s
350	1-2	20 ms / 500 ms
	3-40	80 ms / 500 ms
600	1-30	- / 100 ms
	35-40	- / 150 ms

Typical Derating Curves



Derating depicted in these curves is in addition to the standard derating of 25 % for continuous operating.

