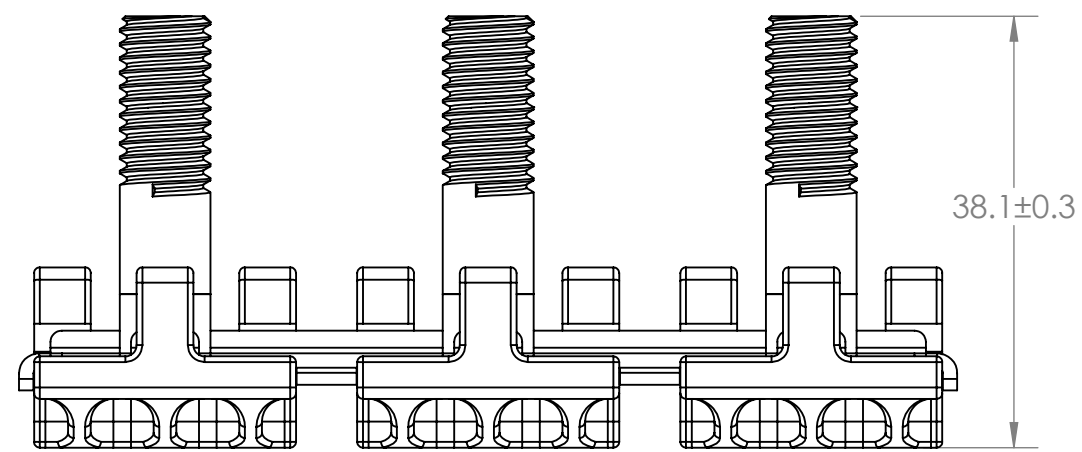
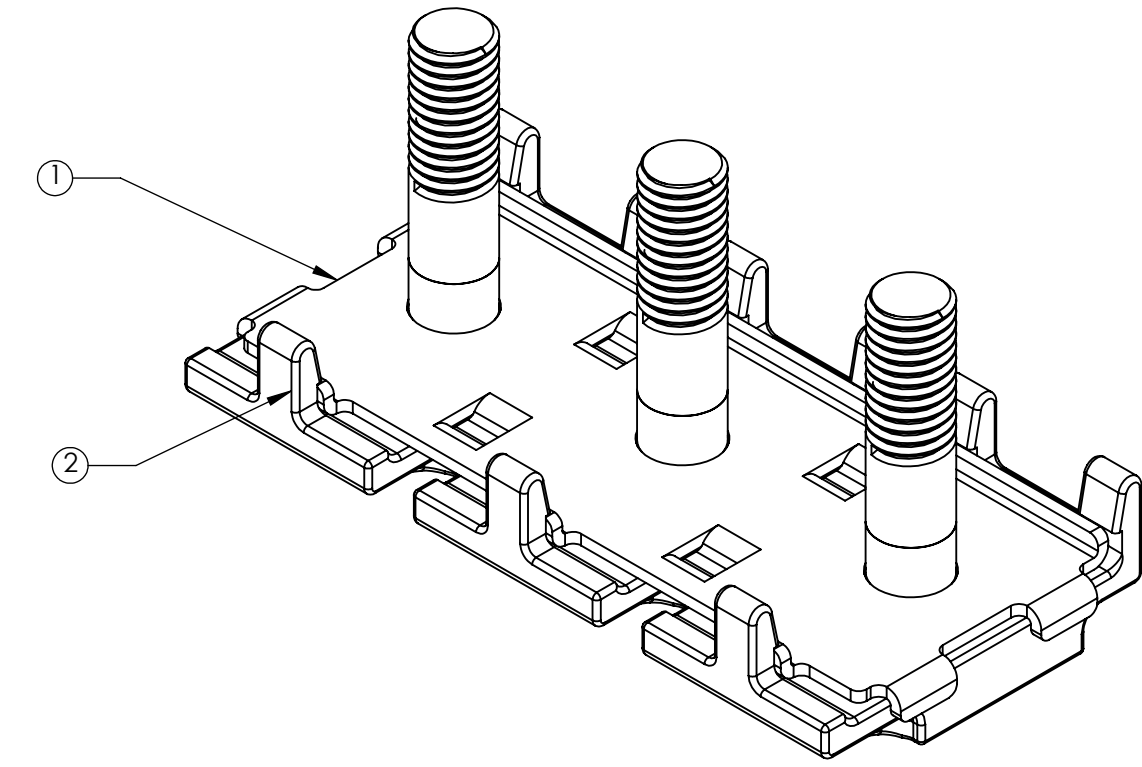
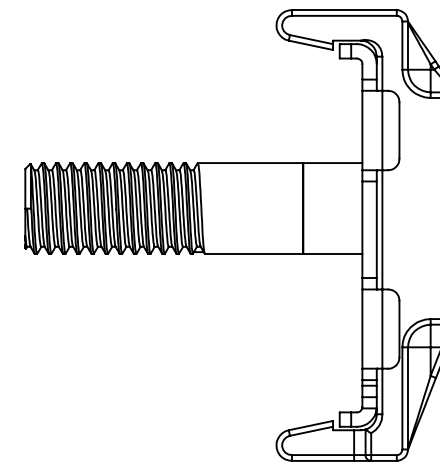
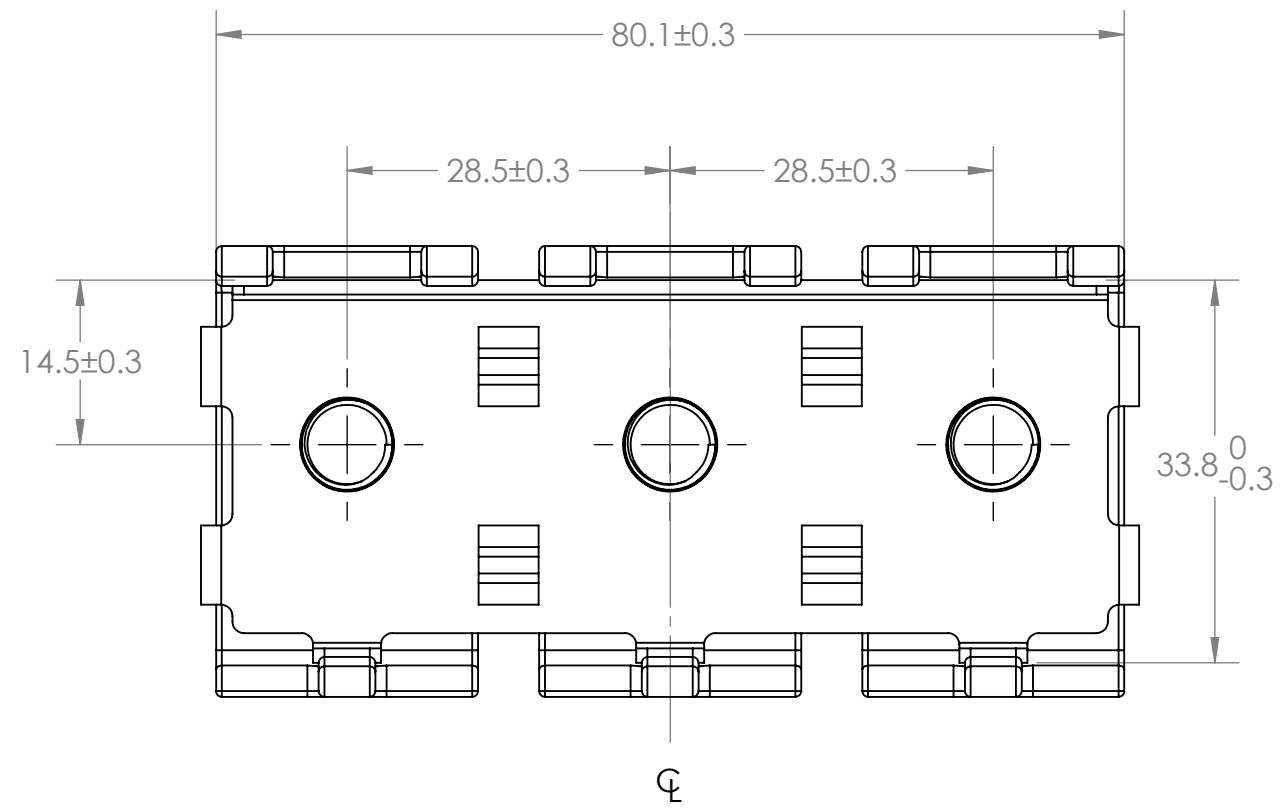


REVISIONS				
ZONE	REV.	DESCRIPTION	DATE	APPROVED
	A	PER EC#514694: INITIAL RELEASE	6/22/2015	J. LIU



BOM			
ITEM	DESCRIPTION	MATERIAL	QTY
1	FUSE HOLDER TERMINAL	ALLOY C19400 (ASTM #B465) 100% TIN OVER NICKEL	1
2	FUSE HOLDER - M8		3

DIMENSIONS ARE IN MM.
DIMENSIONS AND TOLERANCES ARE DEFINED ACCORDING TO ANSI / ASME Y14.5M-1994

THIS DRAWING AND THE INFORMATION CONTAINED WITHIN IT ARE CONFIDENTIAL AND MAY NOT BE COPIED OR DISCLOSED WITHOUT THE WRITTEN PERMISSION OF LITTELFUSE.

NAME	DATE
J. Liu	6/22/2015

THIRD ANGLE PROJECTION

Littelfuse
Export/Import Division | Americas Division
805 W ORCHARD DR., STE 6, BELLINGHAM, WA 98226
Phone (360)738-9010 Fax (360)738-0372

BUS BAR AND STUD ASSM-ZCASE HOLDER 3WAY

SIZE C DWG. NO. **882-853** REV. **A**

SCALE 1.5:1 SHEET 1 OF 1