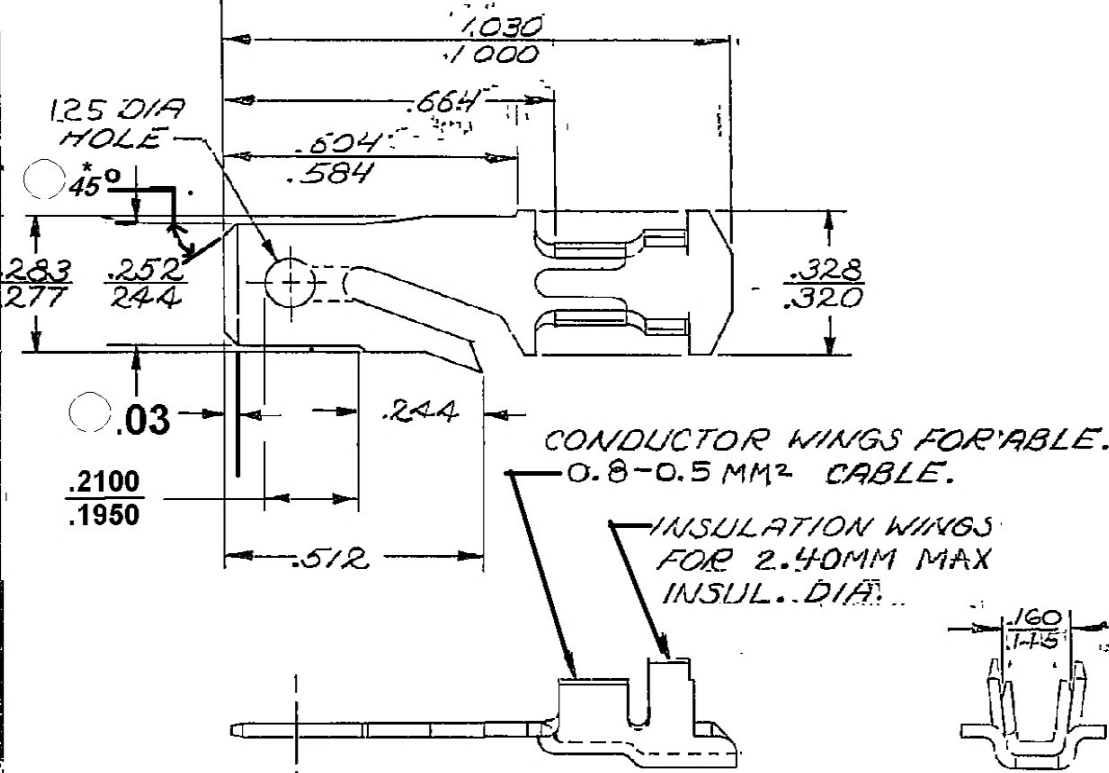


PACKARD ELECTRIC DIVISION  
 GENERAL MOTORS CORPORATION  
 WARREN, OHIO

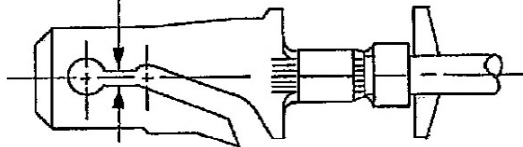
**DO NOT SCALE**

THIS DRAWING AND DESIGN HEREON CONSTITUTES A PROPRIETARY DESIGN OF PACKARD ELECTRIC DIVISION AND IS NOT TO BE DUPLICATED OR REPRODUCED WITHOUT AUTHORITY OF PACKARD ELECTRIC DIVISION

ASME DIMENSIONING POINT



.044 OPENING MADE ON TERMINAL ASSEMBLY DIE IS NOT INCORPORATED IN TERMINALS ON REELS OR LOOSE PIECES.



ASSEMBLED VIEW (REF.)

NOTES — I. \* DENOTES DIMENSION IS MADE AT CUTOFF AND CRIMP DIE

-OUTLINE DRAWING-

PART NO		<b>2965481</b>		SIZE	<b>A</b>
DATE	SYM	REVISION RECORD		C/N NO	
27MY09	AZ6	CLEARED REV COLUMN; ADDED			
		CHAMFER DIMENSION (3 PLACES);			
		ADDED CUTOFF AND CRIMP			
		DIE NOTE AND ADDED ASSEMBLED			
		VIEW		408104	
CODE NO		6900		TOLERANCE UNLESS OTHERWISE SPECIFIED	
				DECIMAL ±.005	
				FRACTIONAL	
				ANGULAR ± 2°	
DWG DATE	3-19-57	SCALE	NONE	DR	PLYLER
ROUTING		CK		APPR	1-8-60
DEPT		APPR		APPR	1-11-60
OUTST		APPR		APPR	1-11-60
REFERENCE	2962864 "D" SIZE-SHT 1				
MATERIAL SPEC	.0320 THK. SAE CA 2.60 BRASS		GRADE NO		
	1/2 HARD-TIN PLATED				
NAME	TERMINAL-MALE-'56 SERIES				
PART NO	<b>2965481</b>		SIZE		
			<b>A</b>		

14771-1414  
 16V  
 36V  
 82V  
 92AHT  
 53V  
 96V  
 41-05H  
 12A  
 146P  
 73 FSV(3)