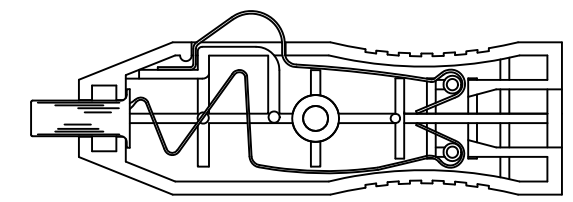
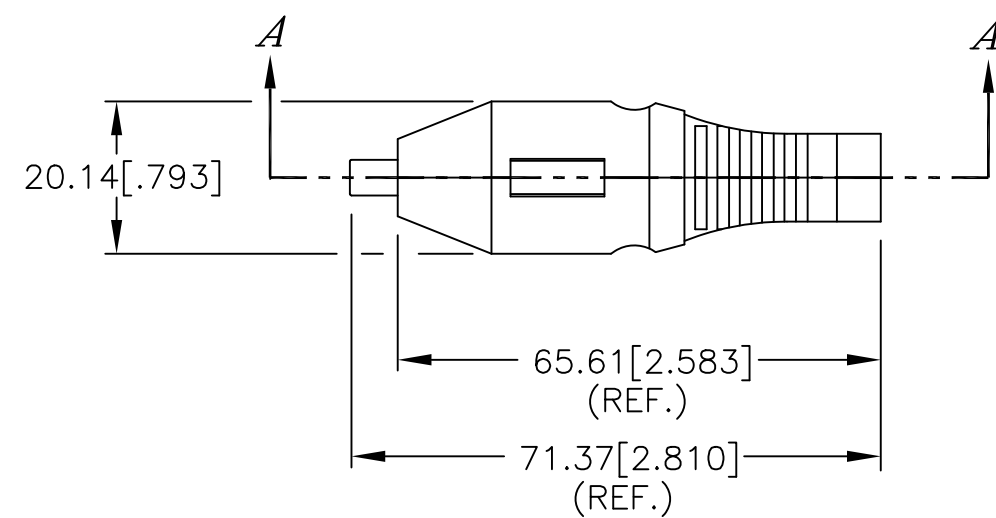
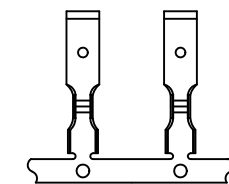
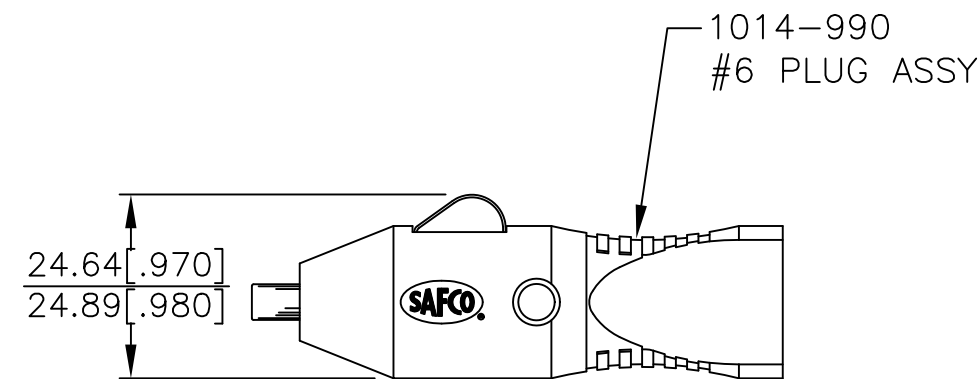


**METRIC RELEASED**

**FOR PRODUCTION USE**

REV.	BY	DATE	REVISION	REQUESTED BY:
------	----	------	----------	---------------



**SECTION A-A**

**MATERIAL NOTE:**  
ALL MATERIAL MUST BE RoHS COMPLIANT PER EUROPEAN DIRECTIVE 2011/65/EU.

**PACKAGING NOTE**  
PACK PLUG AND TERMINALS IN INDIVIDUAL 1258-054 76MMx76MM [3"x3"] POLYBAG (NOT SHOWN) AND HEAT SEAL SHUT.

PACK 300 ASSEMBLIES PER MASTER CARTON.

**PROPRIETARY AND CONFIDENTIAL**

THIS UNPUBLISHED DOCUMENT IS THE PROPERTY OF SAFCO LLC AND IS MADE AVAILABLE FOR EVALUATION AND TESTING PURPOSES ONLY. IT MUST NOT BE REPRODUCED, COPIED OR SHOWN TO OTHERS WITHOUT THE EXPRESSED WRITTEN CONSENT OF SAFCO LLC.

NEXT ASS'Y.:  
WHERE USED:

TOLERANCES: UNLESS OTHERWISE SPECIFIED

DECIMAL:  
X ± 0.4  
X.X ± 0.2  
X.XX ± 0.1

ANGULAR: ± 1.0°

ALL DIMENSIONS IN MILLIMETERS UNLESS OTHERWISE SPECIFIED

DO NOT SCALE PRINT

SCALE: 1 : 1	DESIGNED BY:	ENGINEER APPROVAL:	
DRAWN BY: MEB	CHECKED BY:	RELEASED BY: MEB	
DATE: 04-08-16	DESIGN APPROVAL:	RELEASE DATE: 04-08-16	
MATERIAL:			
TITLE: NO. 6 PLUG ASSY W/TERMINALS		DRAWING No. 1014-994	REV. -