



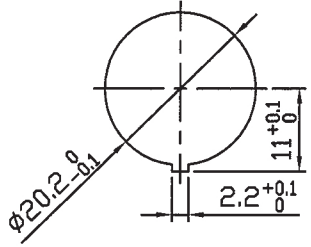
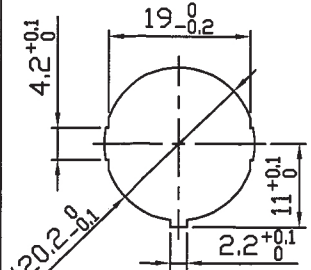
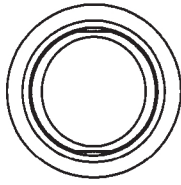
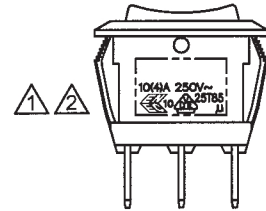
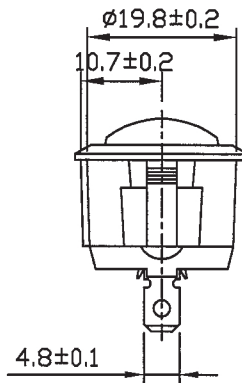
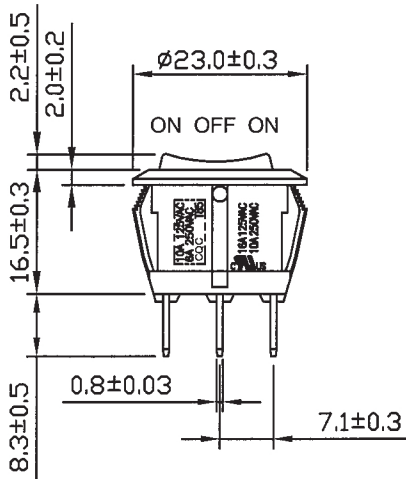
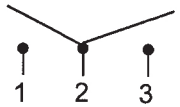


| | | |
|-----------------------|--|---|
| Rating | 16A 125VAC, 10A 250VAC  | Mounting Hole |
| | 10A 125VAC, 6A 250VAC  | |
| | 10(4)A 250V~  | |
| | 20A 14V DC  | |
| Contact Resistance | 50m ohm Max. |  |
| Insulation Resistance | DC 500V 100M ohm Min. | |
| Dielectric Strength | AC 1500V 1 minute |  |
| Operation Temperature | -25°C~85°C | |
| Switch Function | 3P SPDT ON-OFF-ON | Thickness:2.0~3.0 |
| | | Thickness:0.7~3.0 |

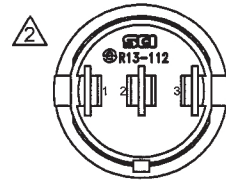


Material:
 Frame: Nylon#66, Black
 Actuator: Nylon#66, Black
 Printed: None

Circuit Diagram



原稿
 2014.1.08
 研發部



C8/R13/R13-112D-02

| | | | |
|----------|---------|--|--------------------------|
| 12/24/13 | 曹盈芳 | 依公司規定追加SCI Logo, 更新安規, 依營業要求Rating追加20A 14V DC | △ |
| 10/04/07 | 曹盈芳 | 通過歐規ENEC, 追加刻字ENEC\VED10, 10(4)A250V~ | △ |
| Date | Name | Description | NO |
| Drawn | Checked | Approved | SCI BOM NO. 1821149 |
| 曹盈芳 | |  | Model Name ROCKER SWITCH |
| 12/24/13 | | Unit mm | Model No. R13-112D-02 |
| | |  Shin Chin Industrial Co., Ltd. | Rev. 2 |