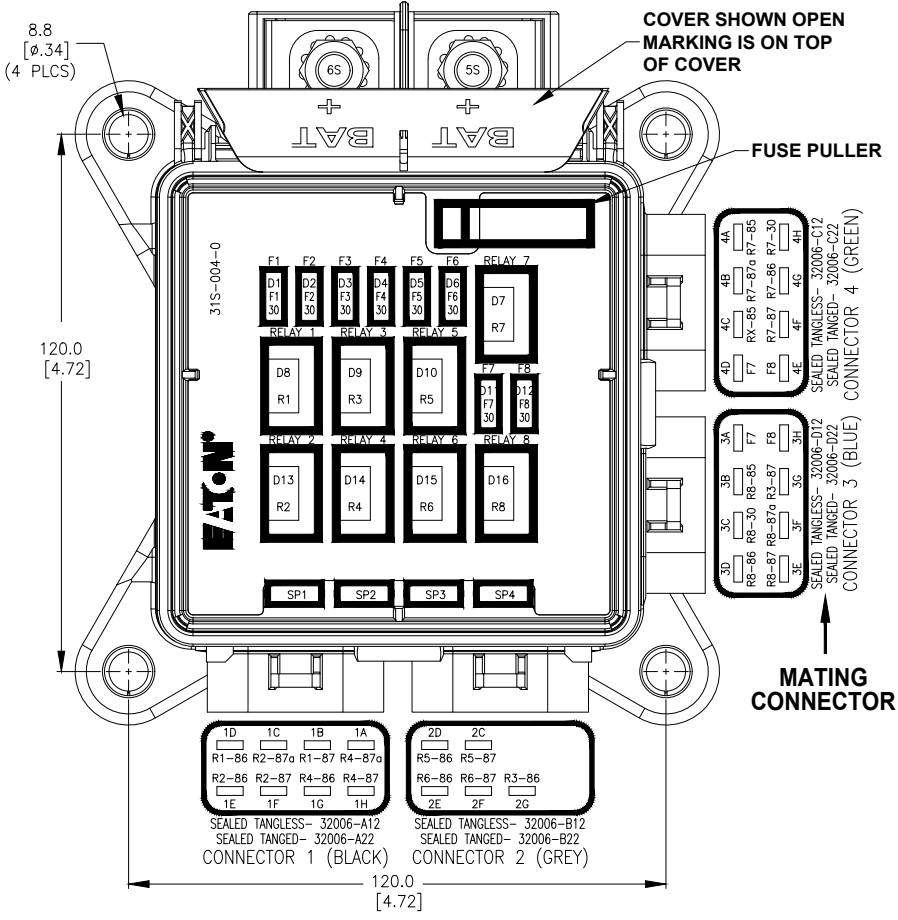
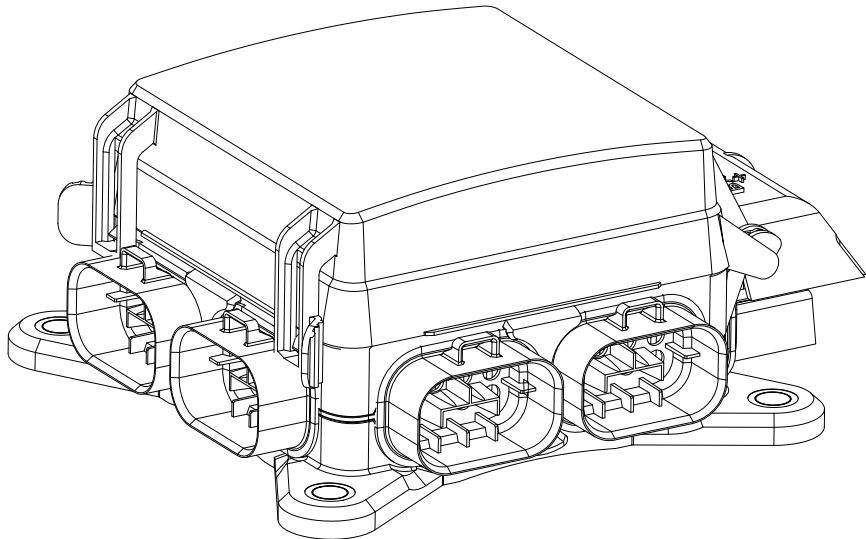


PART NO. 31S-004-0-SALES			
METRIC(mm)			
THIS IS A CAD DRAWING - DO NOT MANUALLY REVISE			
REV #	REVISIONS	DATE	APPR.
0	INITIAL RELEASE ECO-184223	04-10-2020	A.L.



POSITION	REFERENCE	DEVICE
D1	F1	MINI FUSE - 30A
D2	F2	MINI FUSE - 30A
D3	F3	MINI FUSE - 30A
D4	F4	MINI FUSE - 30A
D5	F5	MINI FUSE - 30A
D6	F6	MINI FUSE - 30A
D7	R7	12V, 5-PIN RELAY
D8	R1	12V, 5-PIN RELAY
D9	R3	12V, 5-PIN RELAY
D10	R5	12V, 5-PIN RELAY
D11	F7	MINI FUSE - 30A
D12	F8	MINI FUSE - 30A
D13	R2	12V, 5-PIN RELAY
D14	R4	12V, 5-PIN RELAY
D15	R6	12V, 5-PIN RELAY
D16	R8	12V, 5-PIN RELAY

POSITION	DEVICE	RATING
SP1	MINI FUSE	30
SP2	MINI FUSE	30
SP3	MINI FUSE	30
SP4	MINI FUSE	30

DEVICE	PART #	RATING
12V, 5-PIN RELAY	B120-7016-SRV	12V, 35A NO/20A NC
MINI FUSE	BK-ATM-30	30A
COVER	B151-7172-SRV	-
FUSE PULLER	32103BS	-

- SPECIFICATIONS:**
- RATING (MAXIMUM RATING):
 - 200A CAPACITY
 - 100A PER INPUT STUD (M8)
 - 30A PER OUTPUT TERMINAL
 - 100A PER OUTPUT CONNECTOR
 - MAXIMUM TORQUE:
 - M8 INPUT STUD: 216 IN-LBS (18 FT-LBS)
 - MOUNTING: 300 IN-LBS (25 FT-LBS)

- OPERATING TEMPERATURE: -40°F (-40°C) TO 221°F (105°C)
- INGRESS PROTECTION: APPLICATION DEPENDENT UP TO IP66 REQUIREMENTS
- OUTPUT TERMINAL: DELPHI METRI-PACK 280 SERIES (SEALED TANG OR TANGLESS)
- DELPHI METRI-PACK 280 SERIES CAVITY PLUGS ARE INSTALLED WHERE WIRES ARE NOT USED.

MATERIAL		FINISH	
TOLERANCES UNLESS OTHERWISE SPECIFIED		THIRD ANGLE PROJECTION	
METRIC TOL	ENGLISH TOL		
1 PL DEC.=±.25 2 PL DEC.=±.13	2 PL DEC.=±.01 3 PL DEC.=±.005		
COPYRIGHT - Eaton			
This is an unpublished work. The disclosure of this work is limited to a select personnel. Further dissemination or disclosure to the public is PROHIBITED. This unpublished work is protected by Federal Copyright law and all rights thereunder are reserved by Eaton.		TITLE VEHICLE ELECTRICAL CENTER STANDARD CONFIGURATION	
CONFIDENTIAL - The information contained in this document is the property of Eaton. It is not for public disclosure. Possession of the information does not convey any right to loan, sell or disclose the information. Unauthorized reproduction or use of the information is prohibited. This document is to be returned to Eaton upon completion of the purposes for which it is loaned or upon request.		DRAWN BY A. LUU	ENG. / APPR. A. LUU
		DATE 04-10-20	SCALE NA
		PART NO. 31S-004-0-SALES	
SHEET 1 OF 1			