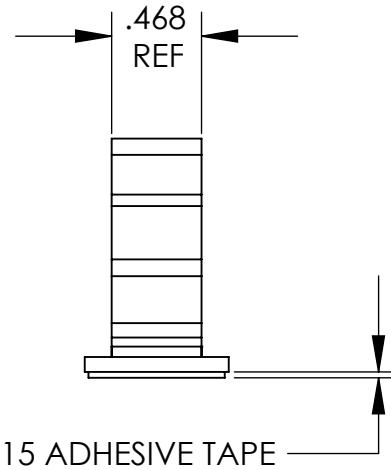
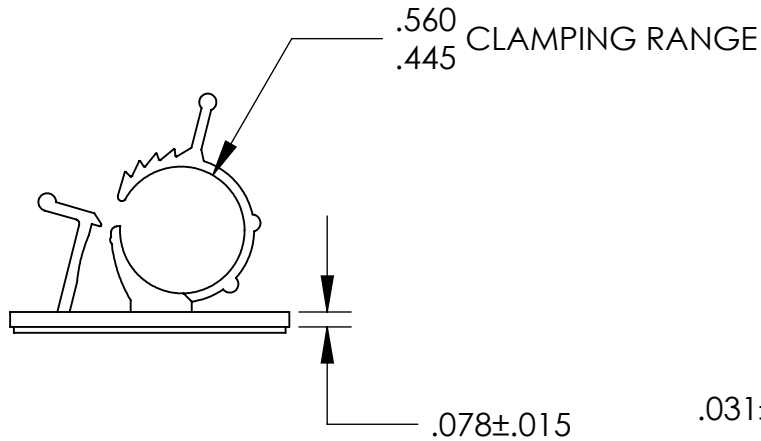
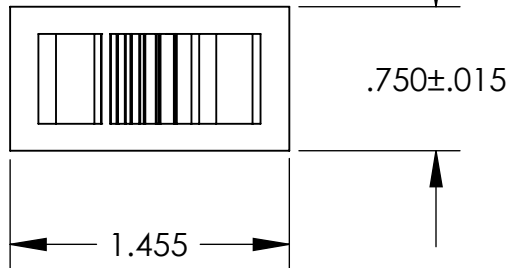


**UNCONTROLLED DOCUMENT**



Uncontrolled Document  
Last Revision: 09.15.2021

**TOLERANCES UNLESS NOTED**

- $\pm .005$  ON DIMENSIONS THRU  $.625$
- $\pm .008$  ON DIMENSIONS  $.626$  THRU  $1.000$
- $\pm .010$  ON DIMENSIONS  $1.001$  THRU  $1.500$
- $\pm .015$  ON DIMENSIONS LARGER THAN  $1.500$
- $\pm .015$  ON FRACTIONAL DIMENSIONS

**WE RESERVE THE RIGHT  
TO DISCONTINUE ITEMS,  
CHANGE SPECIFICATIONS  
OR DESIGN AT ANY TIME  
WITHOUT NOTICE AND  
WITHOUT INCURRING  
ANY OBLIGATIONS**

PROPERTY OF		
<b>MICRO PLASTICS INC.</b>		
CATALOG DRAWING ADJUSTABLE ADHESIVE WIRE CLAMP MICRO P/N 22AAWC500600 DWG. # 22AAWC500600 FILE SERVER\ENG\WEB		
MATERIAL:	NYLON 6/6; BLACK	
DATE	SCALE 1:1	<b>SD</b>