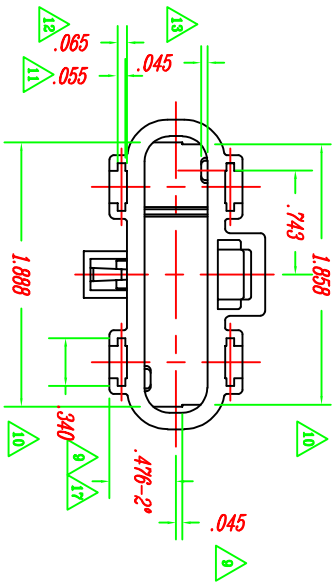
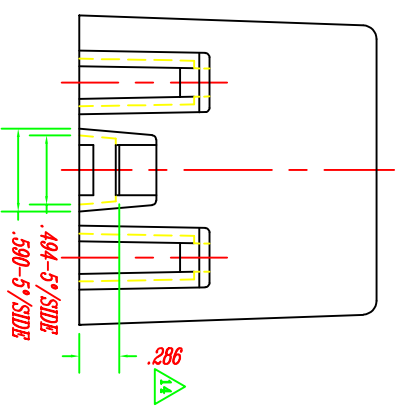
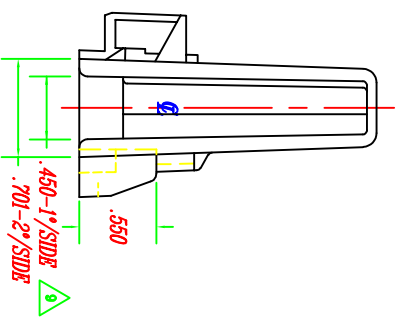
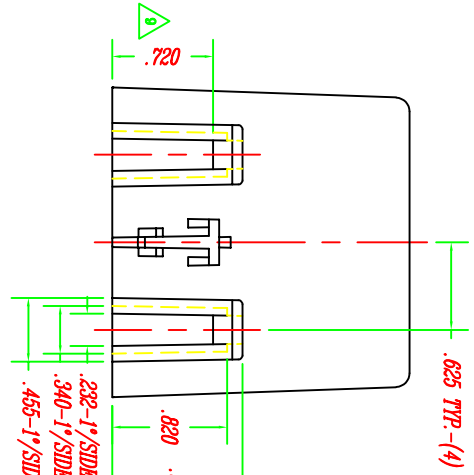
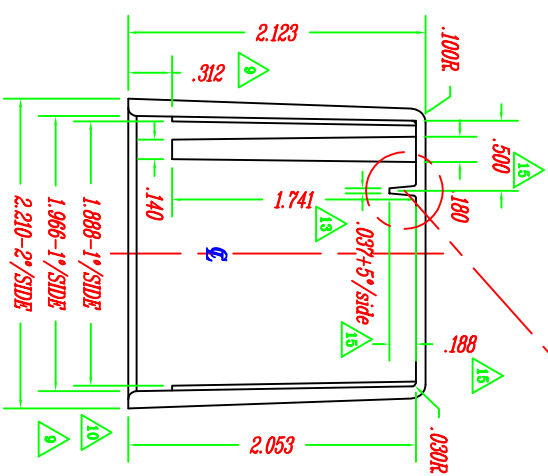
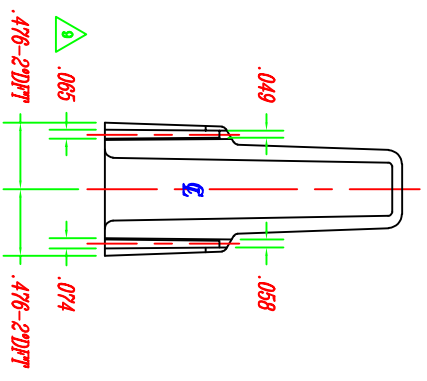
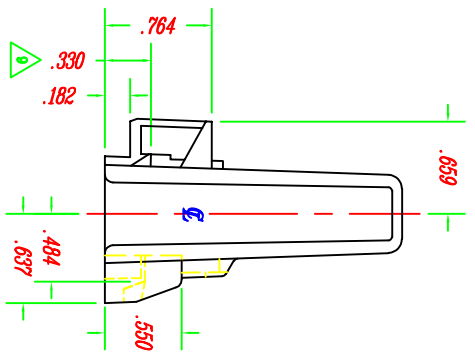


TEXT TO BE STANDARD
STYLE .100 HIGH X .01 DR.

RIB DETAIL TO BE
REMOVED FOR NOW
PER RANDY SCHUETTBEIZ



NOTE:

Pt# 405054 6602 BLACK NYLON
Pt# 405053 P.C. CLEAR
RESIN: NYLON BLACK OR CLEAR

UNLIMITED SERVICES 170 Evergreen Rd. P.O. Box 170 Oconto WI. 54153	
PART NO.	405054
DESC.	VES PAK COVER LARGE BLACK
QUANTITY	1
DATE	04/04/2022
SHEET	1 of 1