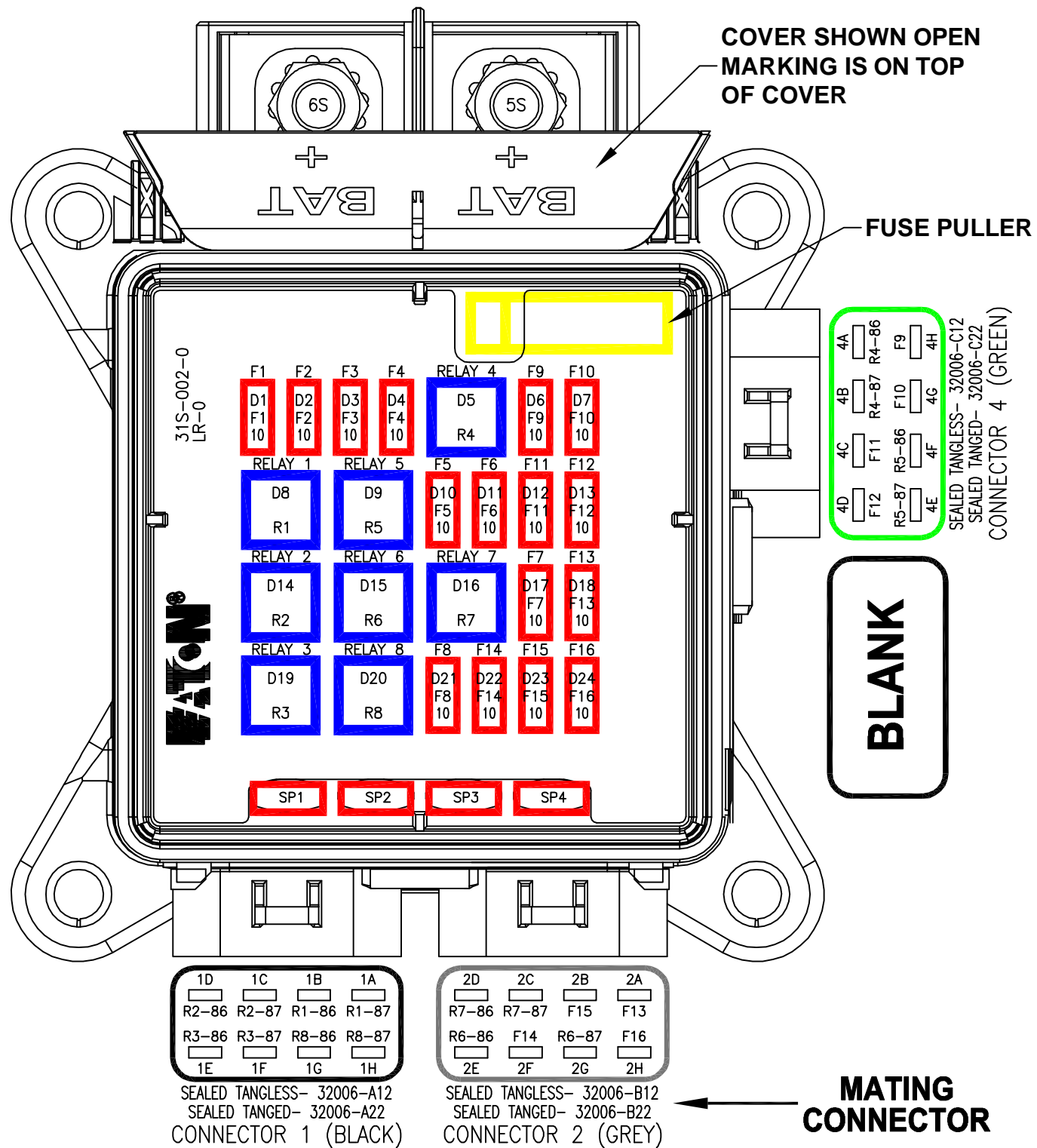
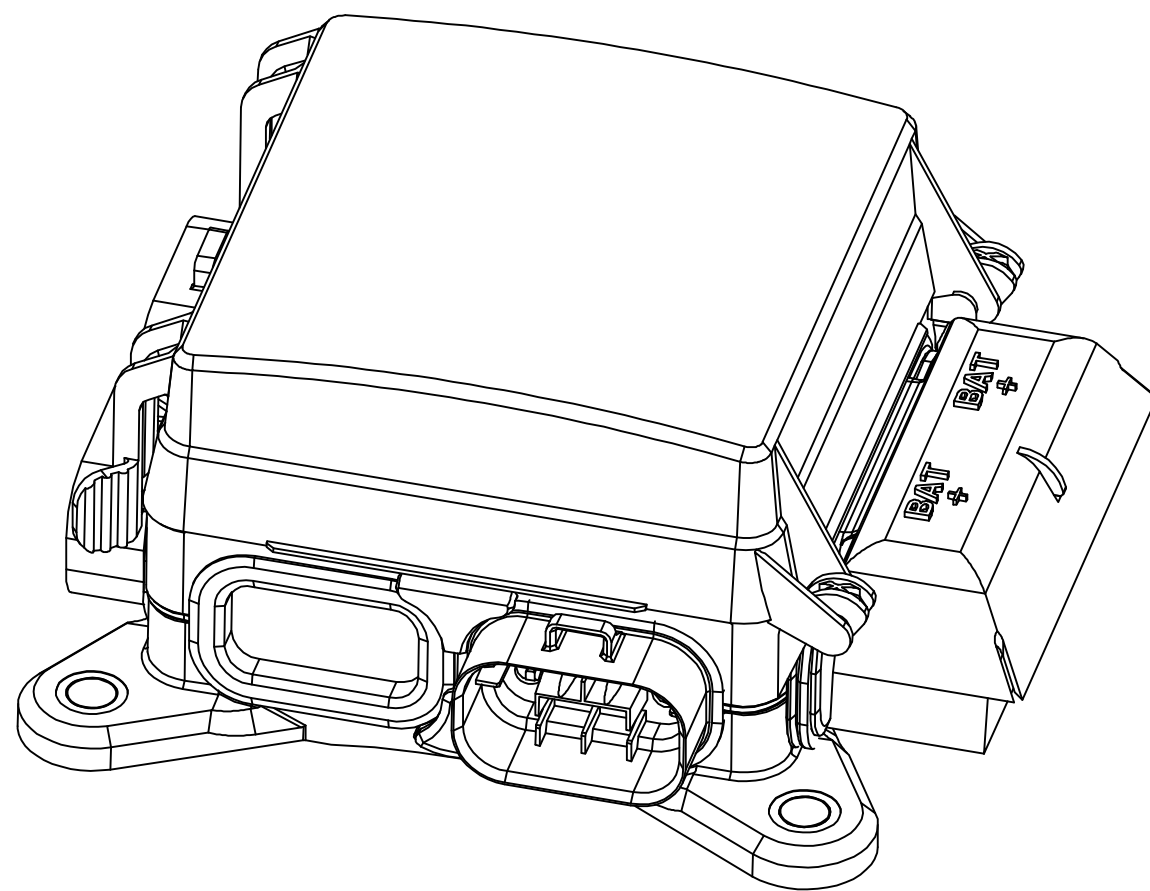
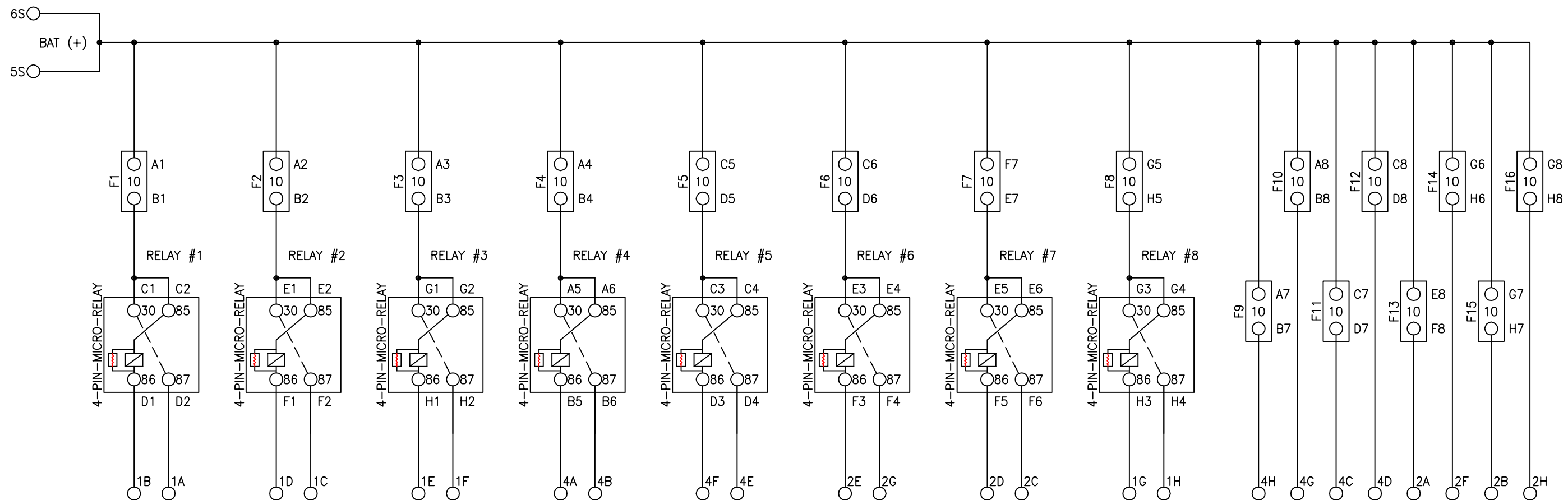


PART NO. 31S-002-0

METRIC(mm)

THIS IS A CAD DRAWING - DO NOT MANUALLY REVISE

REV #	REVISIONS	DATE	APPR.
0	RELEASED TO PRODUCTION ECO-118394	03-17 2017	A.L
1	DESCRIPTION CORRECTION: "CONNECTOR 4 (GREEN)" WAS "CONNECTOR 3 (BLUE)" & UPDATED TABLE FORMAT. ECO-135339	3-14-18	R.L



DEVICE PLACEMENT		
POSITION	REFERENCE	DEVICE
D1	F1	MINI FUSE - 10A
D2	F2	MINI FUSE - 10A
D3	F3	MINI FUSE - 10A
D4	F4	MINI FUSE - 10A
D5	R4	12V, 4-PIN MICRO
D6	F9	MINI FUSE - 10A
D7	F10	MINI FUSE - 10A
D8	R1	12V, 4-PIN MICRO
D9	R5	12V, 4-PIN MICRO
D10	F5	MINI FUSE - 10A
D11	F6	MINI FUSE - 10A
D12	F11	MINI FUSE - 10A
D13	F12	MINI FUSE - 10A
D14	R2	12V, 4-PIN MICRO
D15	R6	12V, 4-PIN MICRO
D16	R7	12V, 4-PIN MICRO
D17	F7	MINI FUSE - 10A
D18	F13	MINI FUSE - 10A
D19	R3	12V, 4-PIN MICRO
D20	R8	12V, 4-PIN MICRO
D21	F8	MINI FUSE - 10A
D22	F14	MINI FUSE - 10A
D23	F15	MINI FUSE - 10A
D24	F16	MINI FUSE - 10A

SPARE DEVICE		
POSITION	DEVICE	RATING
SP1	MINI FUSE	10A
SP2	MINI FUSE	10A
SP3	MINI FUSE	10A
SP4	MINI FUSE	10A

SERVICEABLE PART		
DEVICE	PART #	RATING
4-PIN MICRO	B120-7022-SRV	12V/20A
MINI FUSE	BK-ATM-10	10A
COVER	B151-7172-SRV	-

SPECIFICATIONS:

- RATING (MAXIMUM RATING):
 - 200A CAPACITY
 - 100A PER INPUT STUD (M8)
 - 30A PER OUTPUT TERMINAL
 - 100A PER OUTPUT CONNECTOR
- MAXIMUM TORQUE:
 - M8 INPUT STUD: 216 IN-LBS (18 FT-LBS)
 - MOUNTING: 300 IN-LBS (25 FT-LBS)
- OPERATING TEMPERATURE: -40°F (-40°C) TO 221°F (105°C)
- INGRESS PROTECTION: APPLICATION DEPENDENT UP TO IP66 REQUIREMENTS
- OUTPUT TERMINAL: DELPHI METRI-PACK 280 SERIES (SEALED TANG OR TANGLESS)
- DELPHI METRI-PACK 280 SERIES CAVITY PLUGS ARE INSTALLED WHERE WIRES ARE NOT USED.

MATERIAL		FINISH	
TOLERANCES UNLESS OTHERWISE SPECIFIED		THIRD ANGLE PROJECTION	
METRIC TOL	ENGLISH TOL		
1 PL DEC = ±.25 2 PL DEC = ±.13	3 PL DEC = ±.01 2 PL DEC = ±.005		
COPYRIGHT Eaton This is an unpublished work. The disclosure of this work is limited to a select personnel. Further dissemination or disclosure to the public is PROHIBITED. This unpublished work is protected by Federal Copyright law and all rights thereunder are reserved by Eaton.		TITLE VEHICLE ELECTRICAL CENTER STANDARD 8 RELAYS & 16 FUSES	
CONFIDENTIAL - The information contained in this document is the property of Eaton it is not for public disclosure. Possession of the information does not convey any right to loan, sell or disclose the information. Unauthorized reproduction or use of the information is prohibited. This document is to be returned to Eaton upon completion of the purposes for which it is loaned or upon request.		DRAWN BY R.L	ENG. / APPR. A.L
DATE 3-14-18		SCALE N/A	PART NO. 31S-002-0
SHEET 1 OF 1			