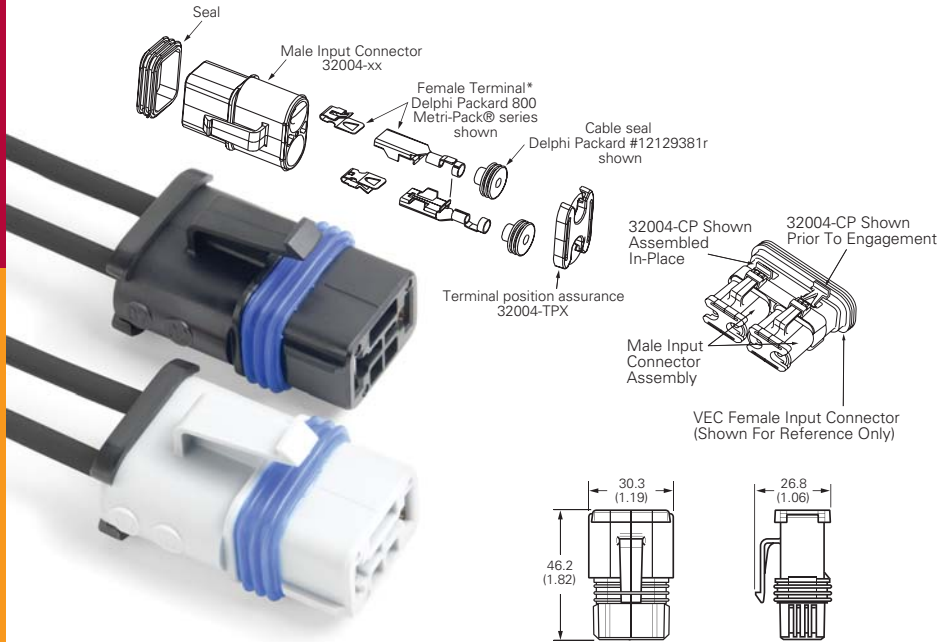


## Dimensions - mm(in)

**32004-XX Power Connector** (Dims. shown are for reference only. Consult factory for latest prints)



(Dims. shown are for reference only. Consult factory for latest prints)

### MALE INPUT CONNECTOR

#### 32004 - X X

- Sealed / Non-Sealed Configuration
  - 1 = Non-Sealed Version
  - 2 = Sealed Version
- Color of Part
  - A = Black
  - B = Gray

### TERMINAL POSITION ASSURANCE

#### 32004 - TPX

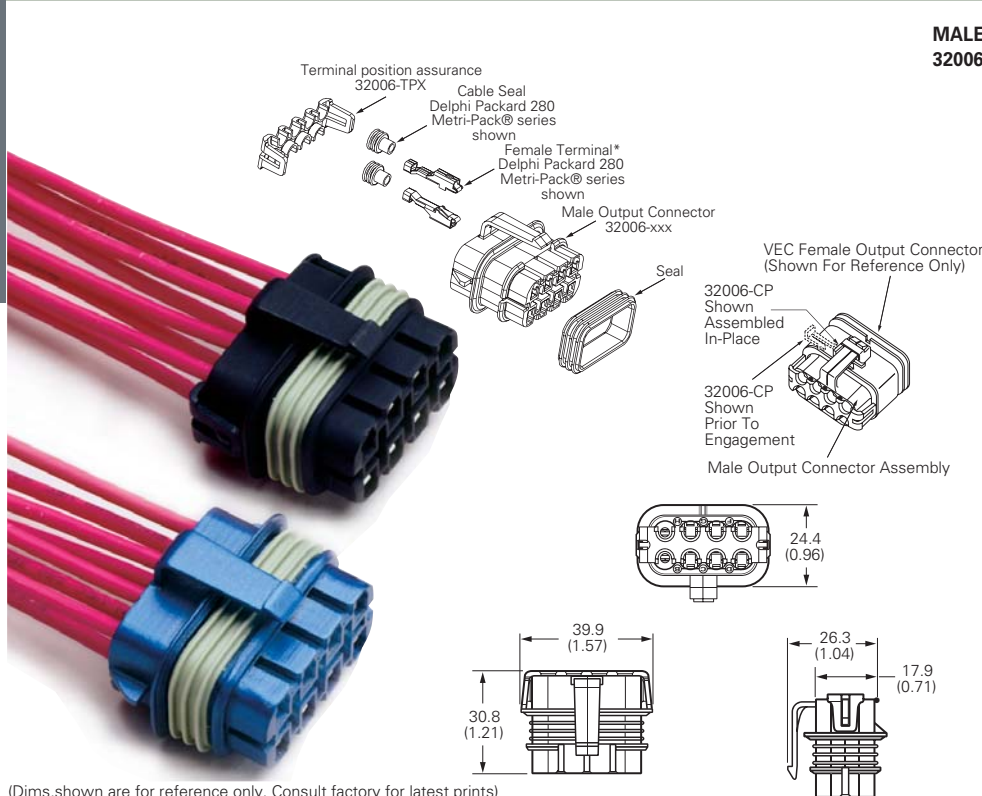
- Sealed / Non-Sealed Configuration
  - 1 = Non-Sealed Version
  - 2 = Sealed Version

### CONNECTOR POSITION ASSURANCE

#### 32004 - CP (Ship in Bulk)

**Note:** Terminals and Terminal Seal Components are not provided with connectors. Available from Delphi Packard. Contact factory for part list and terminal removal tool. Sealed connector option includes outer body seal.

**32006-XXX Output Connector** (Dims. shown are for reference only. Consult factory for latest prints)



(Dims. shown are for reference only. Consult factory for latest prints)

### MALE OUTPUT CONNECTOR

#### 32006 - X X X

- Sealed / Non-Sealed Configuration
  - 1 = Non-Sealed Version
  - 2 = Sealed Version
- Connector Cavity Configuration
  - 1 = Tang-less Female Connector (Delphi 280)
  - 2 = with Tang Female Connector (Delphi 280)
  - P = all cavities plugged
- Color of Part
 

A = Black	E = Yellow
B = Gray	F = Red
C = Green	G = Orange
D = Blue	H = Brown
J = Neutral (only available for -JP2 option)	

### TERMINAL POSITION ASSURANCE

#### 32006 - TPX

- Sealed / Non-Sealed Configuration
  - 1 = Non-Sealed Version
  - 2 = Sealed Version

### CONNECTOR POSITION ASSURANCE

#### 32006 - CP (Ship in Bulk)

**Note:** Terminals and Terminal Seal Components are not provided with connectors, but are available from Delphi Packard. Contact factory for part list and terminal removal tool. Sealed connector option includes outer body seal.