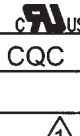
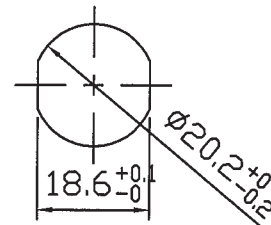
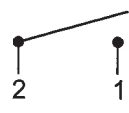
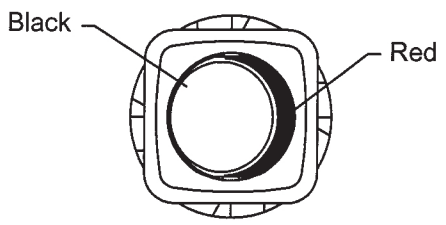
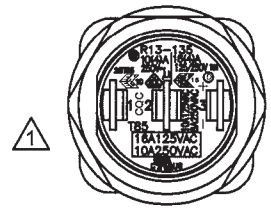
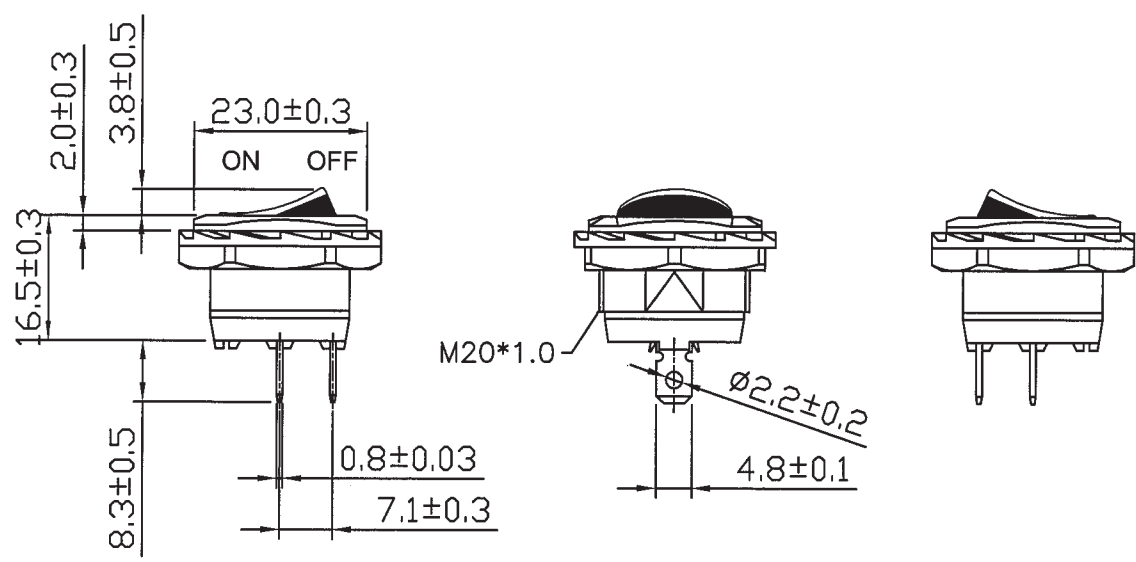


Rating	16A 125VAC, 10A 250VAC		Mounting Hole		Circuit Diagram
	10A 125VAC, 6A 250VAC				
	10(4)A 250V~				
	16(4)A 125/250V~				
Contact Resistance	50m ohm Max.				
Insulation Resistance	DC 500V 100M ohm Min.				
Dielectric Strength	AC 1500V 1 minute				
Operation Temperature	-25°C~85°C				
Switch Function	2P SPST ON-OFF				



Material:
 Frame: Nylon#66+33%GF , Black
 Actuator: Nylon#66, Bi-color, Black/Red
 Printed: None



05/16/16	曹盈芳	依MCN#GRD2016084追加安規16(4)A 125/250V~ T85			△		
01/15/10	歐陽安	Accord UL approval information to update drawing.			△		
Date	Name	Description			NO		
Drawn	Checked	Approved	SCI BOM No.	1821314	Model Name	ROCKER SWITCH	
曹盈芳			Customer No.	7500074	Model No.	R13-135A2-02	
05/16/16		5/17/16	Unit	mm	Shin Chin Industrial Co., Ltd.		
						Rev.	2