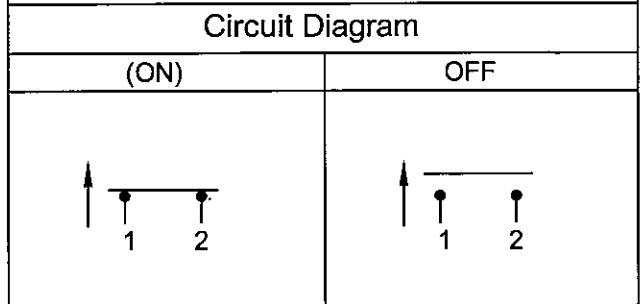
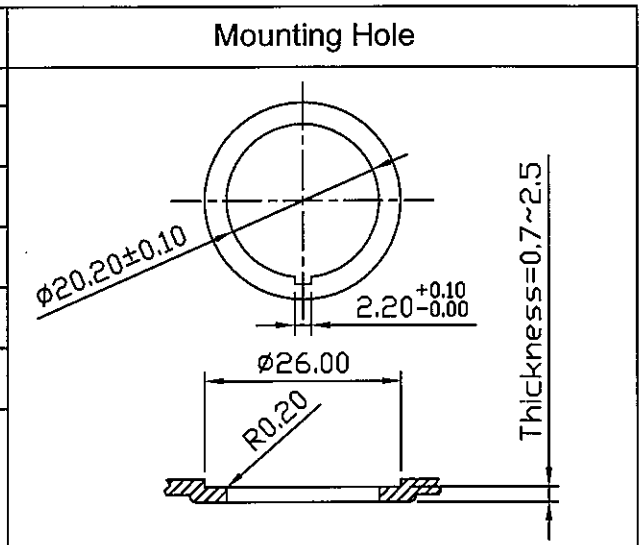
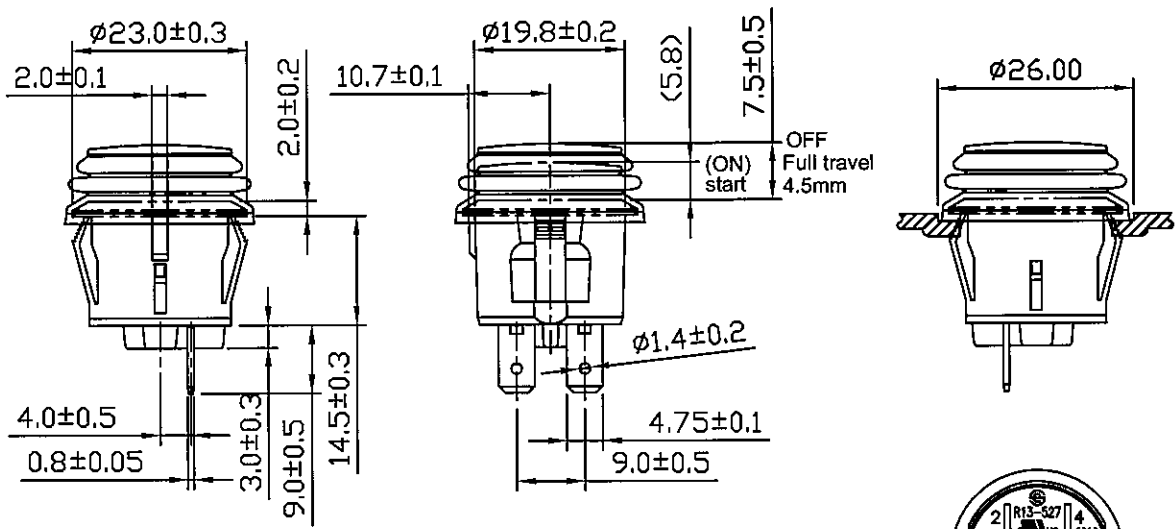
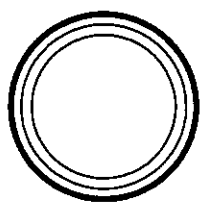


Rating	10A 125V, 6A 250V AC 1/2HP 125/250VAC 20A 14VDC, 10A 28VDC
Contact Resistance	50m ohm Max.
Insulation Resistance	DC 500V 100M ohm Min.
Dielectric Strength	AC 1500V 1 minute
Operation Temperature	-25°C ~ 85°C
Switch Function	2P SPST (ON)-OFF



*MATERIAL:
 Frame: Black, Nylon 66 (94-V2)
 Actuator: Black, PC (94-V2)
 Waterproof Rubber: Black, Silicone
 Terminals: Silver plated, Copper alloy
 Printed: None
 Waterproof: IP65



for EF001 only



C8\客戶圖面\EF001\R13-527C2-02(44102)

Date		Name		Description		NO	
Drawn	Checked	Approved	SCI BOM No.	Model Name	PUSH SWITCH		
曹盈芳			Customer No. 44102	Model No.	R13-527C2-02	Rev.	0
01/21/11			Unit mm	Shin Chin Industrial Co., Ltd.			