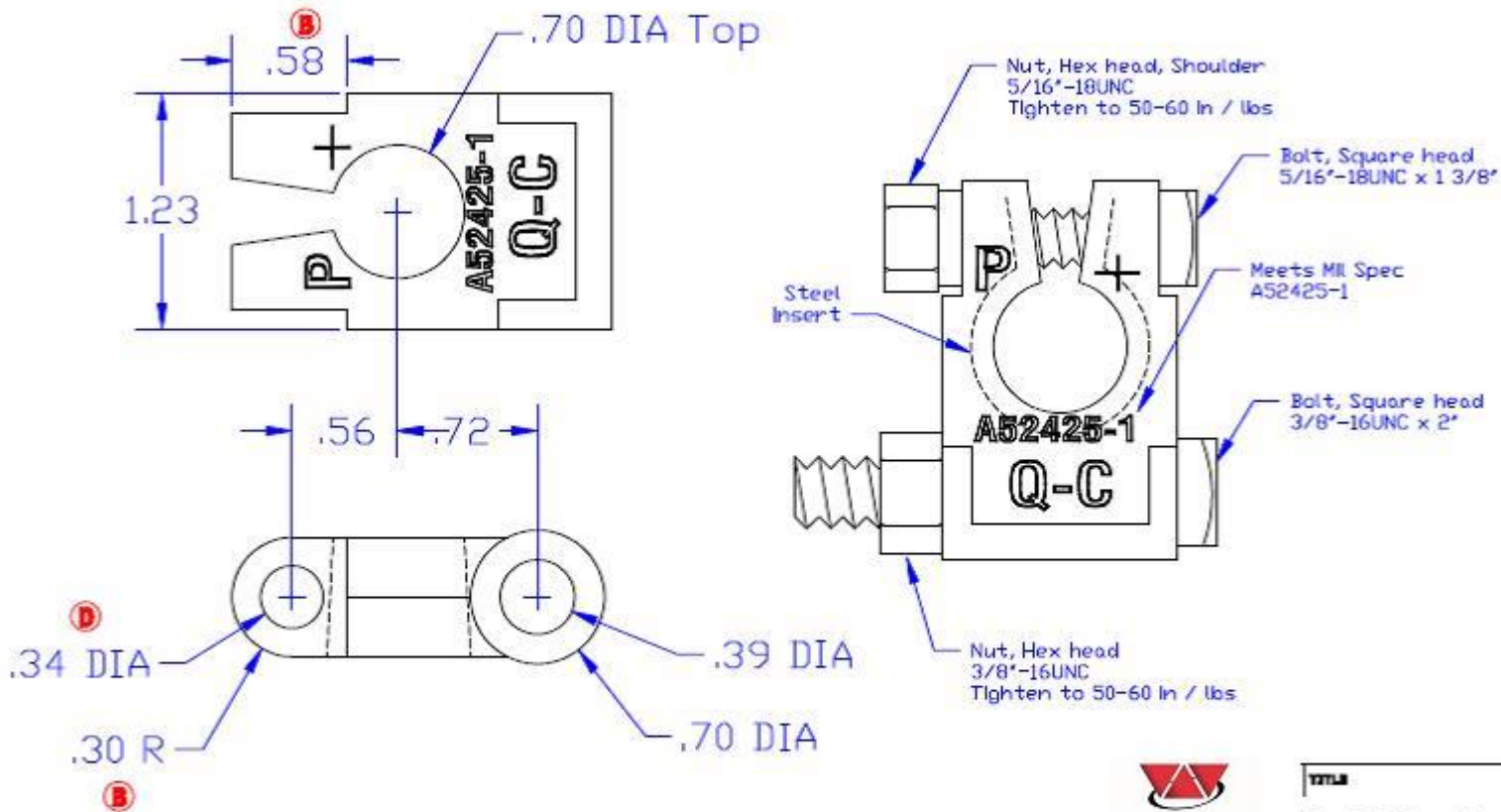


Walt Cable reserves the right to Alter Product Types, Their Technical Data, Dimensions, Style And Accessories without Prior Notification.



WAYTEK, INC.
 800-328-2724
 www.waytelwire.com
 sales@waytelwire.com

TITLE
Lead Add-on Connector Positive
PART #
5350P

D	03-28-11	2272	JWH	Dis. was .35
C	10-10-10	2199	JWH	Title was "Military Terminal"
B	00-21-10	2142	JWH	Dis. was .00; Radius was .00
A	11-29-04	982	JWH	Change material spec.
Rev	Date	SN#	By	Description

Drawn By	Date	Checked By	Scale
Paul P.	6-25-02	R. H.	None
Tolerances, unless otherwise noted			
2 place dec. = .015			

Confidential and Proprietary Information		
Material & Treatment	Drawing #	REV
(A) Antimonial Lead 4 - 7.5%	5350P-Info	D
Sheet 1 of 1		