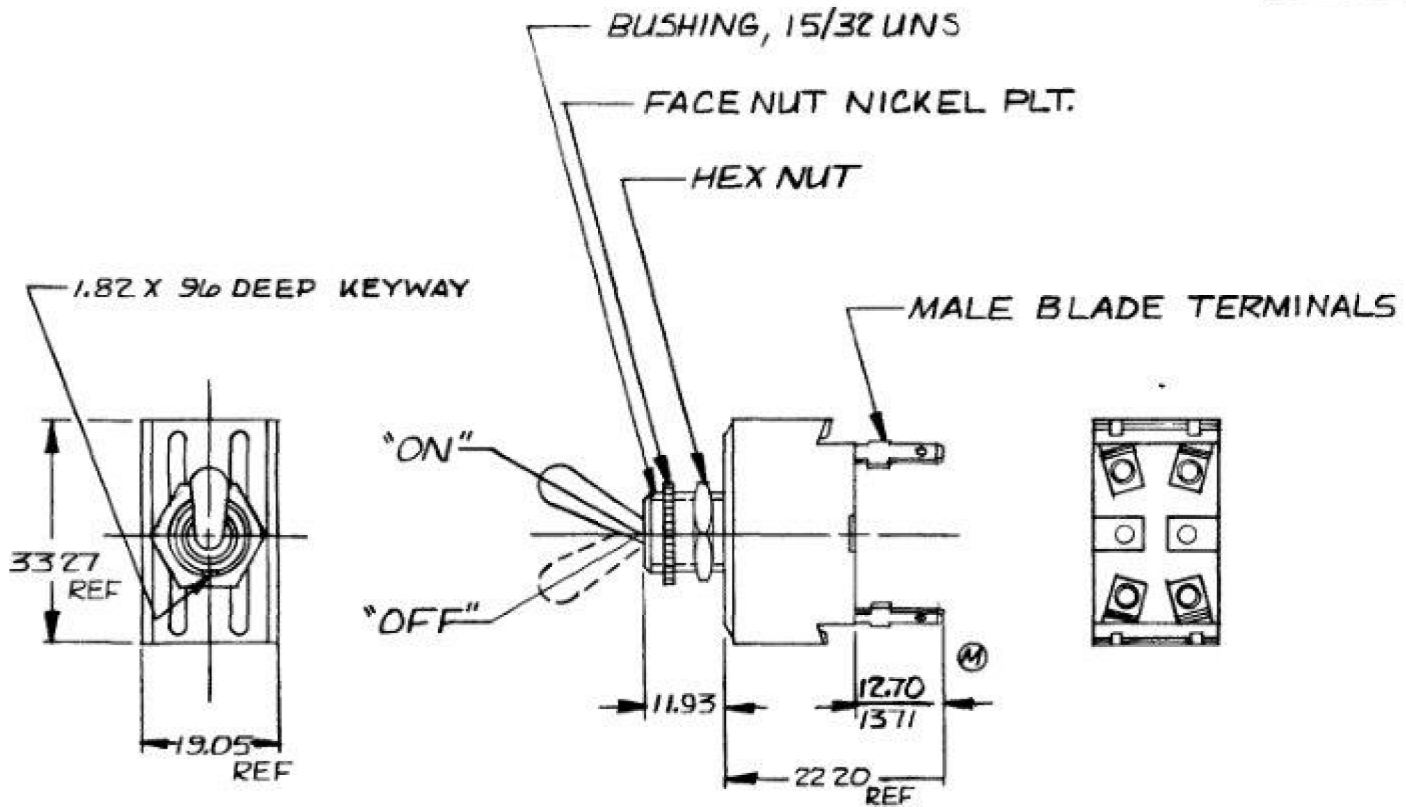


55017

MM	IN
.25	.010
.96	.038
1.82	.072
11.93	.470
12.70	.500
13.71	.540
13.05	.510
22.20	.874
33.27	1.310



25 AMPS 12VDC

NOTE
 Ⓜ SILVER CONTACT SURFACES

METRIC

DO NOT SCALE

LET	WAS	DATE	BY	LET	WAS	DATE	BY	MATERIAL	DRAWN	CHECKED	APPR'D	SCALE	DATE DRAWN				
								H	GS	RJA		1 1	8-21-56				
								FINISH	 Cole Hersee Co. <small>MANUFACTURING DIVISION</small>				DATE BLUEPRINT				
				N	ADD NOTE/25932	8/13/83	TJH	H									
				M	REV TERMS	1-7-82	CS	TOLERANCES									
				L	REV & REDRAWN	4-16-88	CS	DECIMAL ±	D.P.-S.T. OFF-ON TOGGLE SW.				55017				
								METRIC ± .25									

CH 188(4 78)