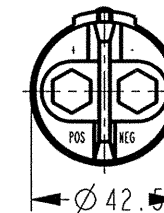
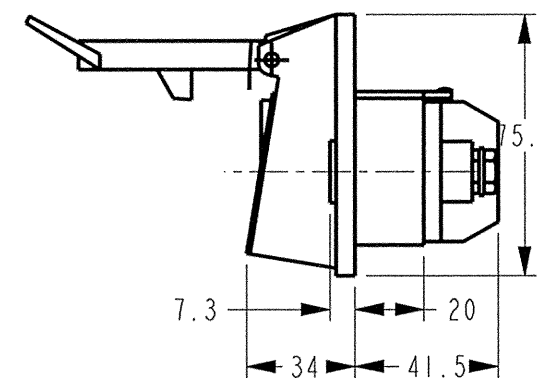
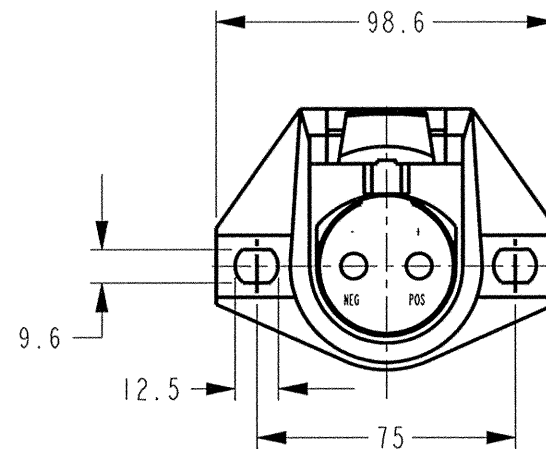


ECN	REVISIONS - AUTHORIZED - CHANGED - DATE		
K0614	A	RELEASE TO PRODUCTION	TT 9/2/09

ITEM#	NAME	MATERIAL
1	SOCKET SHELL	ZINC
2	TERMINALS	BRASS
3	TERMINAL SCREWS	STAINLESS STEEL
4	TERMINAL BASE	A.B.S

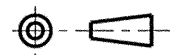
ITEM#	NAME	MATERIAL
5	BASE SET SCREW	STAINLESS STEEL
6	COVER	ZINC
7	HINGE PIN	IRON
8	SPRING	STAINLESS STEEL



UNIT	m/m	Q'TY	1	ITEM	SY-250S
SCALE	1:2			TITLE	2 Pole Socket
CHECKED BY	ROBIN	DATE	2008.09.24	MATERIAL	Zinc Die Cast
DRAWN BY	ROBIN	DATE	2008.09.24	MEMO	Split Pin
1	REV A	ROBIN	2009.07.23	Song Yers Industrial Co., Ltd	
NO	REVISION LEVELS	CHANGE BY	DATE		

NOTE: PARTS AND COMPONENTS MUST COMPLY WITH POLLAK SQA POLICY

WHERE USED



3rd ANGLE PROJECTION
UNSPECIFIED TOLERANCES

XX : ±
X.XX : ±
X.XXX : ±
ANGLE : ±

MATERIAL

FINISH

DESIGNED BY

DRAWN BY

CHECKED BY

APPROVED BY

FILE NAME

12-801E_2-WAY-SOCKET

SCALE

DRAWING SCALE

DATE

02-Sep-09

DRAWING TITLE

2-WAY SOCKET

DRAWING NO.

12-801E

REV

A