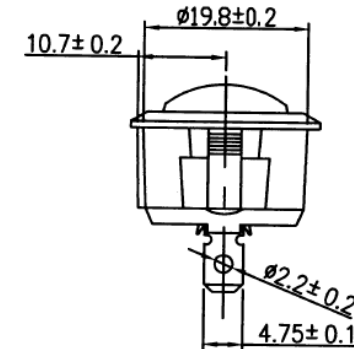
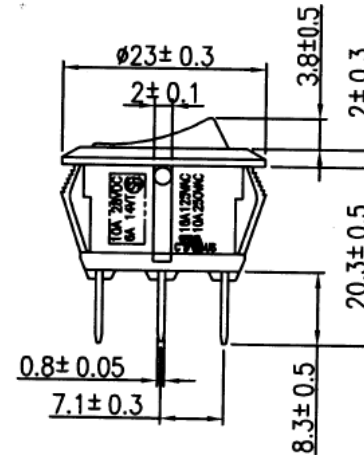


LED Illuminated Round Rocker Switches

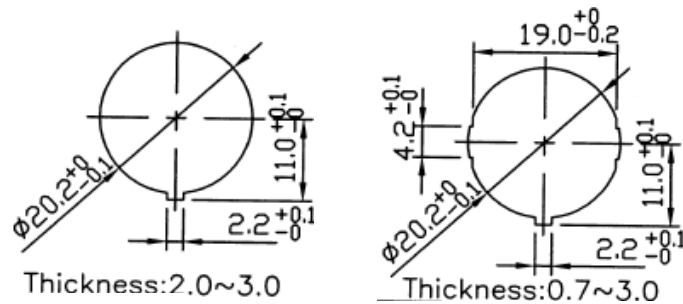
Waytek Stock No.	Illumination Color	Illumination Type
44170	Amber	Indicator Light
44171	Green	Indicator Light
44234	Blue	Indicator Light
44235	Red	Indicator Light
44236	Red	Fully Illuminated

Features:

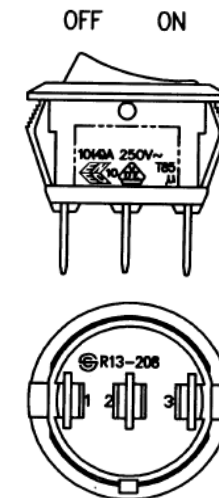
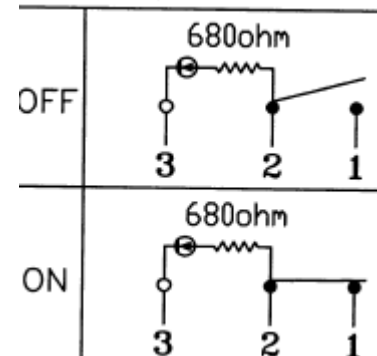
- Body Material: Black Nylon 66
- Actuator Material: Black Nylon 66
- Lens Material: PC
- Contact Material: Copper alloy, silver plated
- Voltage: 12 volts
- Maximum Current Rating: 20 amps
- Operating Temperature: -4°F to 185°F (-20°C to 85°C)
- Switch Function: 3P SPST On-Off (Illuminated)
- Contacts: 3/16" male terminals
- Contact Resistance: 50m ohm Max.
- Insulation Resistance: DC 500 V 100M ohm Min.
- Dielectric Strength: AC 1500V 1 minute



Mounting Hole



Circuit Diagram



UNCONTROLLED DOCUMENT

All information provided by manufacturer
Updated 5/24/10