

Data Sheet

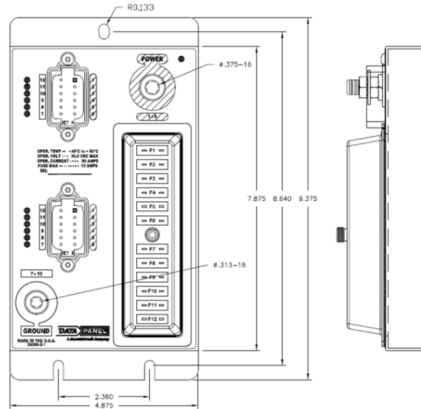
DP-38006-2-1

PSCF-2

**Power Splitter &
Distribution Device
Fuses or Circuit
Breakers**


2 Connector

**8-36 Vdc
IP67**



Technical Data

<i>Housing</i>	Aluminum, black anodized
<i>Cover</i>	Clear Polycarbonate with gasket
<i>Dimensions (l x w x h)</i>	4.875 x 9.375 x 2.13 in
<i>Weight</i>	1.76 lbs (0.80 kg)
<i>Installation</i>	Screw connection 4 x 1/4" (not included) Cover thumb screw/captive washer 8-32 (included) 15 Amp fuse Max. (fuses not included)
<i>Torque Specification</i>	Power Stud (3/8-16): dry torque 154 in-lbs. Ground Stud (5/16-18): dry torque 86 in-lbs. Thumb Screw: dry torque 13 in-lbs.
<i>Mating Connectors and Accessories</i>	
<i>Deutsch® Key A connector</i>	DT06-12SA
<i>Deutsch® Key B connector</i>	DT06-12SB
<i>Deutsch® size 20 Socket</i>	0462-201-20141
<i>Deutsch® size 16 Socket</i>	0462-201-16141
<i>Deutsch® Wedgelock</i>	W12S
<i>Deutsch® Seal Plug</i>	114017
<i>Fuses</i>	Automotive Blade Type (ATO/ATC)
<i>Circuit Breakers</i>	Automotive Blade Type (ATO/ATC)
<i>Mating Connector Kit - Includes mating Deutsch® Key A (Gray) and Deutsch® Key B (Black) connectors, wedgelocks, 16 GA sockets, and seal plugs</i>	DP-38022-400
<i>Operating Voltage</i>	8-36 V DC
<i>Input Current</i>	90 A max.
<i>Output Current</i>	13.5 A per pin max continuous
<i>Total Inputs</i>	2 – 1 Main Power 3/8" Stud 1 Main Ground 5/16" Stud
<i>Total Outputs</i>	2 - 12 Pin Connectors (6 power and 6 ground each)
<i>Operating Temperature</i>	-40...80 °C

				Date	Name
				Originator	01.30.20 FSa
				Approved	01.30.20 FSa
c	DCN F459	11.13.20	TMc	 A Murrelektronik Company	
b	DCN F226	03.16.20	FSa		
Rev	Description	Date	Name		
a	DCN F175	02.03.20	FSa	DP-38006-2-1_db_e_c.docx	

Data Sheet

PSCF-2
Power Splitter & Distribution Device
2 Connector

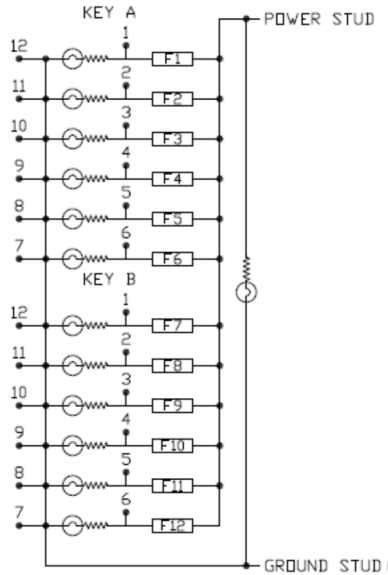
Art. No.: DP-38006-2-1

Sheet
1 of 2

Storage Temperature	-40...85 °C
IP67	User to protect input stud(s) Connector seal plugs required for unused pins

Operating States (LEDs)	Color	Status
POWER LED		Illuminated on POWER and GROUND present
Output LED		One per Fuse, Illuminated on fuse good

Connector Wire Diagram



Notes:

1. All power to vehicle must be turned off prior installation of the device.
2. The device should only be installed by a trained electrician following standard best practices
3. To maintain IP rating, sealing plugs need to be installed on all unpopulated positions on mating connectors.
4. To maintain IP rating, fuse cover needs to have gasket present and thumb nut manually tightened to dry torque 13 in-lbs. to maintain seal. Over tightening of fuse cover could result in cracking of the fuse cover and a degradation in the IP rating.
5. Fuses are rated at 15 Amp maximum for each fuse location (6 total).
6. Output LED's require an intact fuse or circuit breaker, open circuits yield un-lighted LED

				Date	Name	Data Sheet PSCF-2 Power Splitter & Distribution Device 2 Connector	
				Originator	01.30.20		FSa
				Approved	01.30.20		FSa
c	DCN F459	11.13.20	TMc	 A Murrelektronik Company		Art. No.: DP-38006-2-1	
b	DCN F226	03.16.20	FSa				Sheet
Rev	Description	Date	Name				2 of 2
a	DCN F175	02.03.20	FSa	DP-38006-2-1_db_e_c.docx			