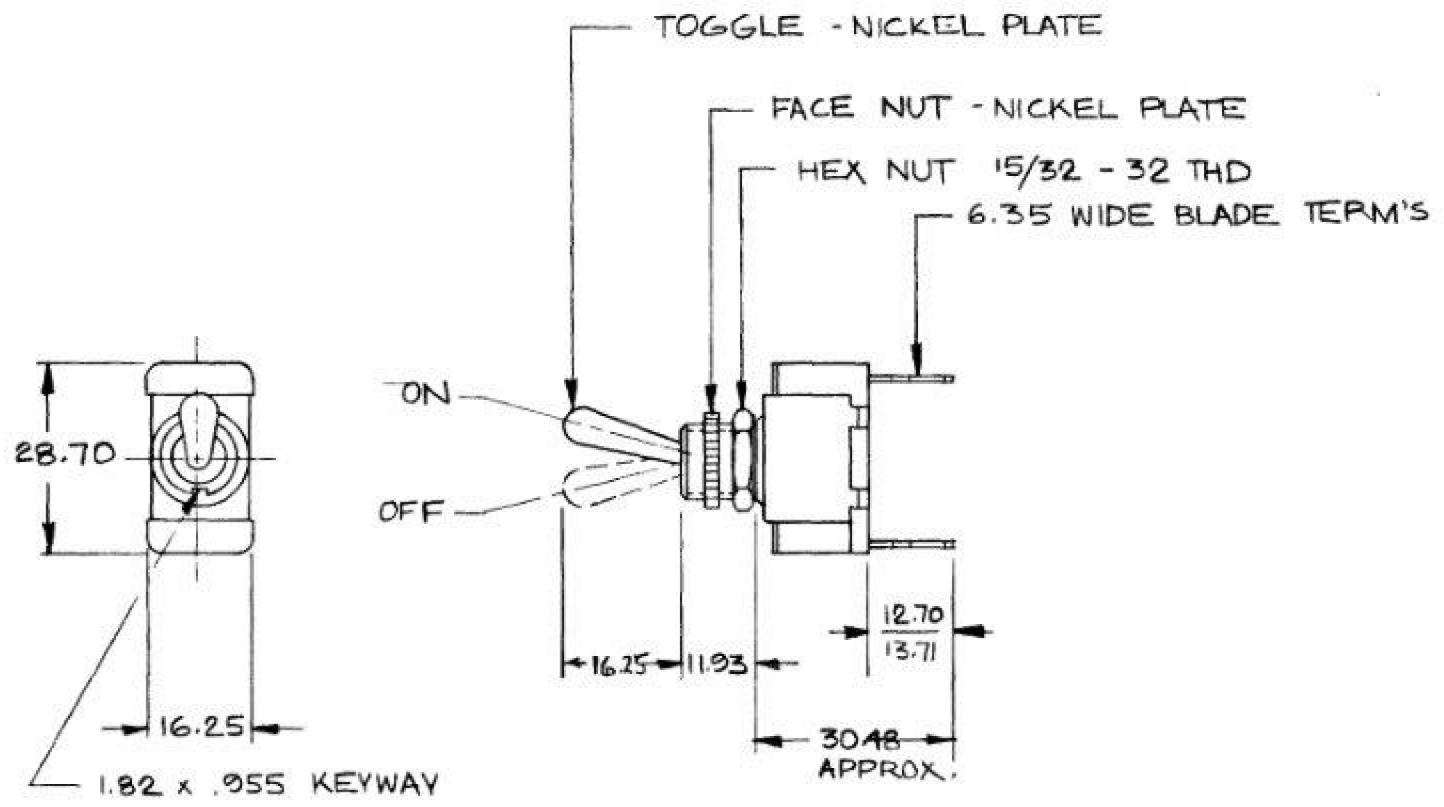


55014-05

MN	IN
.955	.038
1.82	.072
6.35	.25
11.93	.47
12.70	.50
13.71	.54
16.25	.64
28.70	1.13
30.48	1.20



**METRIC**

25AMP-12V DC

- NOTES:
- 1 NEOPRENE O-RING SEAL IN BUSHING
  - 2 SILVER CONTACT SURFACES

DO NOT SCALE

LET	WAS	DATE	BY	LET	WAS	DATE	BY	MATERIAL	DRAWN	CHECKED	APPR'D	SCALE	DATE DRAWN
								—+—	RY	[Signature]		1:1	1-21-75
								FINISH	 Cole Hersee Co. 100 COLLEGE AVENUE SOUTH BRIDGE 02155				DATE BLUEPRINT
								TOLERANCES					
								DECIMAL ±	SWITCH, TOGGLE				55014-05
								METRIC ±					

CH-188(4-78)