

Silver Alloy Electrical Contacts Support High Ampere/Full Voltage Switching Without Degradation to Contacts or Switch Resistance. Improved Lifespan and Performance Versus Legacy Rotary Style Switches

Purpose Designed Surface Mount Form Factor Simplifies Switch Mounting and Battery Cable Assembly

500 Amp Continuous Capability in a 40% Smaller Footprint Utilizing 30% Less Depth From the Mounting Surface

Color Coded ON/OFF Positions and Bright Yellow Knob Ensures Rapid/Safe Operation

Fully Sealed Enclosure with Goretex Pressure Regulation Vent for Maximum Robustness

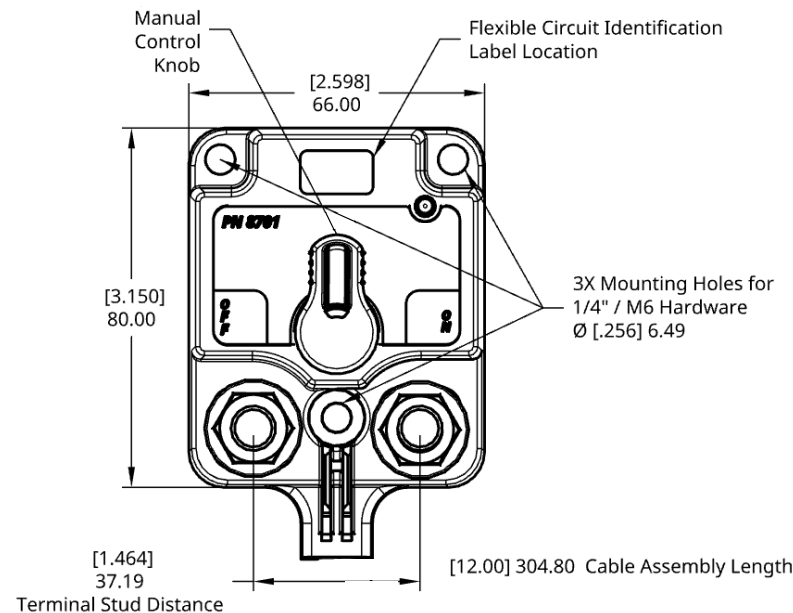
Removable Cover Protects Power Input and Output Terminals

PATENT PENDING

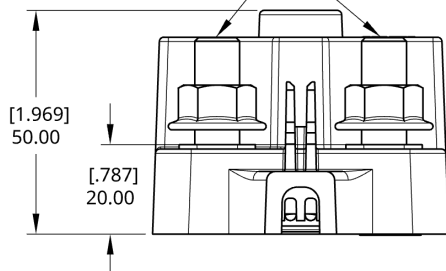


PN: 8700

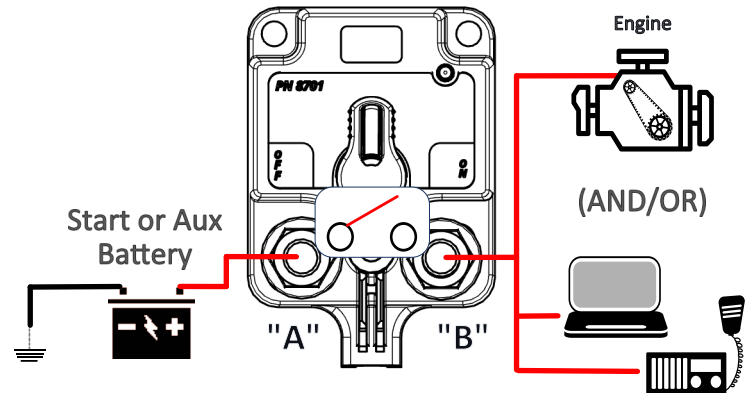
Dimensions



2X M10 x 1.5 Stainless Steel High Power I/O Terminals & Serrated Flange Nuts.



System Diagram



*** DISCONNECT BATTERY FROM POWER DISTRIBUTION SYSTEM BEFORE INSTALLING PRODUCT TO PREVENT ELECTRICAL SHOCK OR PRODUCT DAMAGE**

Specifications

Input Voltage Range (Vdc)	8.0 - 36.0
Live Current Switching -10,000 cycles	12V/300A, 24V/150A
Mechanical Switching Life	1,000,000 cycles
2/0 AWG - 30sec/5min/Continuous	1000 / 400 / 225 Amps
4/0 AWG - 30sec/5min/Continuous	1100 / 400 / 300 Amps
2x 4/0 - 30sec/5min/Continuous	1600 / 700 / 500 Amps
Hardware Material	Stainless Steel Self-Locking
Terminal Stud Torque	140 in-lbs
Temperature Range (Ambient)	-40 C to 125 C
Shock, 10,000 cycles	20g
Vibration, 0.020" Amplitude, xyz	24 hr, 10 Hz to 60 Hz, 0.020"
Ignition Protected	SAE J1171
Environmental Protection	IP67, IP6K9K
Mechanical Cycles (min)	10,000 cycles

Related Product - XD Series - Flex Relay/ACR/LVD



Related Product - XD Series Programmable ACR



Flexible Relay/ACR/LCD, Optional Time Delay

Description	Knob	Connection	Resell Pack	Bulk Pack
XD Flex-Relay/ACR/LVD	Yes	Tinned Wire	8710-1100	8710-1100B
XD Flex-Relay/ACR/LVD	No	Tinned Wire	8710-1200	8710-1200B
XD Flex-Relay/ACR/LVD	Yes	Deutsch DTM	8810-1100	8810-1100B
XD Flex-Relay/ACR/LVD	No	Deutsch DTM	8810-1200	8810-1200B

ACR Products Knob Connection Resell Pack Bulk Pack

Description	Knob	Connection	Resell Pack	Bulk Pack
XD Series ACR	Yes	Tinned Wire	8710-1300	8710-1300B
XD Series ACR	No	Tinned Wire	8710-1400	8710-1400B
XD Series ACR	Yes	Deutsch DTM	8810-1300	8810-1300B
XD Series ACR	No	Deutsch DTM	8810-1400	8810-1400B

Related Product - XD Series Solenoid



Related Product - XD Remote Battery Switches



XD Series Solenoids

Description	Knob	Connection	Resell Pack	Bulk Pack
XD Solenoid	No	Tinned Wire	8710-1600	8710-1600B
XD Solenoid	No	Deutsch DTM	8810-1600	8810-1600B

XD Series Remote Battery Switches

Description	Knob	Connection	Resell Pack	Bulk Pack
XD Solenoid	No	Tinned Wire	8710-1600	8710-1600B
XD Solenoid	No	Deutsch DTM	8810-1600	8810-1600B



www.egismobile.com
360.768.1211
Bellingham, WA U.S.A

