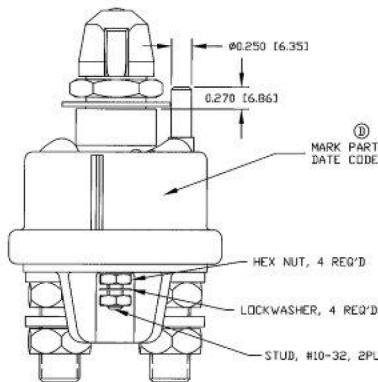
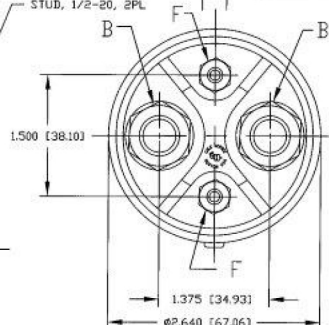
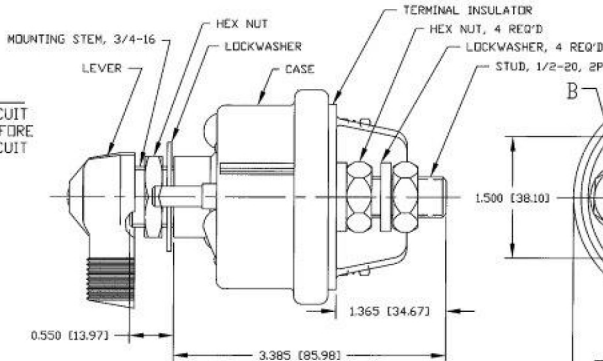
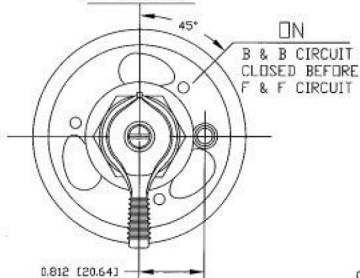


©  
D

OFF  
F & F CIRCUIT  
OPEN BEFORE  
B & B CIRCUIT



Revision Control Record			
Rev.	Description of Change	ECN No.	Date
B	BOM CHANGE	06273	08/17/06
C	RELOCATED DATE CODE	09162	3/26/08
D	MOVED DATE CODE TO SIDE OF CASE	10331	9/16/09

- NOTES:
1. ALL STEEL PARTS PLATED
  2. ALL DIMENSIONS ARE REFERENCE ONLY
  3. SEALS BETWEEN: SHAFT & MOUNTING STEM  
CASE & TERMINAL INSULATOR  
TERMINAL INSULATOR & 1/2-20 STUDS
  4. RATING: 6, 12, 24, & 36 VOLTS DC  
"B" STUDS: INTERMITTENT DUTY 2000 AMPS  
30 SECONDS "ON", 3 MINUTES "OFF"  
CONTINUOUS DUTY 300 AMPS  
"F" STUDS: 20 AMPS

**Tolerances:** Unless otherwise specifically noted, the following are to be used:  
 - General Dimensions: ±0.25"  
 - Hole Dimensions: ±0.010"  
 - Angular Dimensions: ±1.0 Deg.  
 - Holes: Refer to applicable English Dimensional Tolerances (see NOTE). All tolerances are Max-Over-size.

**Dimensional Limits:** All dimensions are expressed in inches unless shown otherwise. Dimensions are given in millimeters.

Use of this drawing is limited to the specific application for which it was prepared.

**Engineering Approval:** This Engineering Drawing, and the information contained herein, is the property of Cole Hersee Company and may not be disclosed, reproduced, or in any other way transmitted or copied without the prior written consent of Cole Hersee Company.

**REVISIONS:** It is the responsibility of the individual using this drawing to verify that the correct revision level applies with the revision level of the Component Drawing (Master Drawing). This is the responsibility of the individual using alternative specifications.

**REVISIONS:** Dimensional variations may occur during printing/production.

**QUALITY CONTROL:**  
 - Initial Characteristics, including in-assembly Population Compliance  
 - Repeat/Re-characterization relating to Process Control (PC)  
 - Control Characteristics relating to Form - 714 - Function as defined by Cole Hersee Company and/or the Customer.  
 - Note that the identification of any Characteristics as being "Special" does not alter the requirement that ALL specified Characteristics be measured (see note).

Responsible Engineer: NA  
 Pg. 1 of 1

**Cole Hersee Co.**  
 20 Old Colony Ave., South Boston, MA, 02127  
 Phone: 617-268-2100 Web: www.colehersee.com

**MASTER DISCONNECT SW**

Drawing / Part No.: **75907**

**D**

Used On: EX23570F  
 Scale: 1:1  
 Drawn By: DPS  
 Date: 03/23/95  
 Drawn: NA