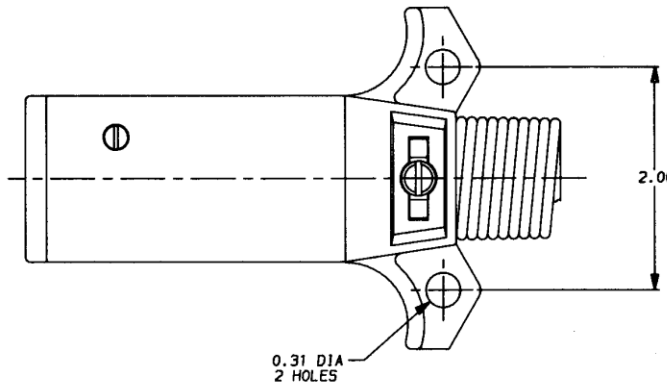
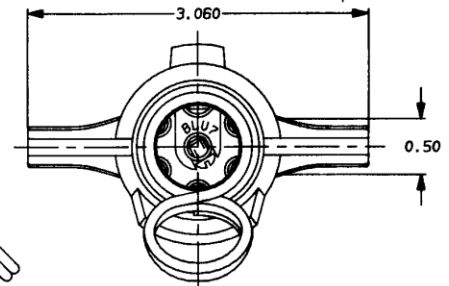
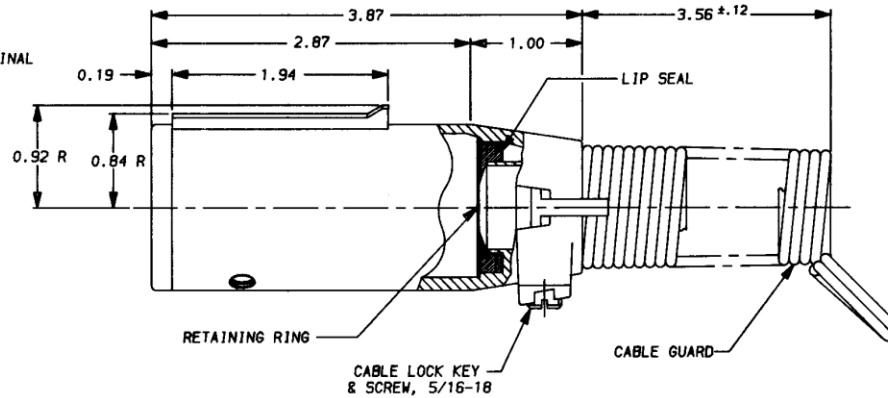
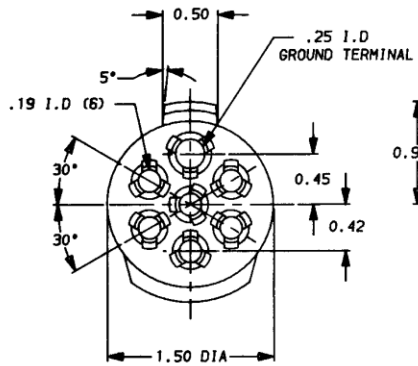


JOSEPH POLLAK CORP. BOSTON, MASS 02122 U.S.A.

NO. 11-902 REV C

BOSTON  
 STOUGHTON

WHERE USED



RECOMMENDED WIRING PER SPECS. SAE J560b AND ATA E-1-1961	
1 WHITE	GROUND RETURN TO TOWING VEHICLE
2 BLACK	IDENTIFICATION, CLEARANCE & SIDE MARKER LAMPS
3 YELLOW	LEFT HAND TURN SIGNAL & DISABILITY SIGNAL
4 RED	STOP LAMPS & ANTIWHEEL LOCK DEVICES
5 GREEN	RIGHT HAND TURN SIGNAL & DISABILITY SIGNAL
6 BROWN	TAIL, CLEARANCE & SIDE MARKER LAMPS
7 BLUE	AUXILIARY CIRCUITS

- NOTES:
- SIX (6) CIRCUIT TERMINALS (#2 - #7) ACCEPT #10 GA WIRE. GROUND TERMINAL (#1) ACCEPTS UP TO #8 GA WIRE.
  - FEMALE CONTACTS
  - MEETS SAE & ATA STANDARDS FOR INTERCHANGEABILITY.
  - ELECTRICAL RATING: 40 AMPS CONTINUOUS DUTY 6-28 VOLTS D.C.
  - RECOMMENDED TERMINAL SCREW TORQUE IS 2.5 - 6.5 in/Lbs (.28 - .73 Nm)
  - MATERIALS:  
SHELL - ZINC DIE CAST  
PLUG - ABS PLASTIC (BLACK)  
TERMINALS - PLATED BRASS  
CABLE LOCK KEY - ZINC DIE CAST  
CABLE GUARD - PLATED STEEL  
INTERNAL LIP SEAL - PVC  
RETAINING RING - STEEL PHOSPHATE COATED  
ALL OTHER HARDWARE - PLATED STEEL

DESIGNED BY JAM	DRAWN BY LIZ	CHECKED BY <i>W/T</i>	APPROVED BY	SCALE 1:1	2 PL.DEC. ± 0.01	3 PL.DEC. ± 0.005	ANGLES ± 1°	DATE 12-14-91
THIS DOCUMENT CONTAINS PROPRIETARY INFORMATION AND SUCH INFORMATION MAY NOT BE DISCLOSED TO OTHERS FOR ANY PURPOSE OR USED FOR MANUFACTURING PURPOSES WITHOUT WRITTEN PERMISSION FROM THE JOSEPH POLLAK CORPORATION.		ECN 14978	REVISIONS-AUTHORIZED-CHANGED-DATE	ECN	REVISIONS-AUTHORIZED-CHANGED-DATE	MATERIAL	TITLE PLUG, CONNECTOR 7 CONTACT	
			<i>BW/KV</i> <i>SXB</i> 12-14-91			FINISH	NO. 11-902 REV C	